

Dell PowerEdge
M1000e, M915, M910, M905,
M805, M710HD, M710, M610x,
M610, M605, and M600

Getting Started With Your System

Guide de mise en route

Primeiros passos com o sistema

Procedimientos iniciales con el sistema



Dell PowerEdge
M1000e, M915, M910, M905,
M805, M710HD, M710, M610x,
M610, M605, and M600

Getting Started With Your System

Model BMX01, HHB Series, FHB Series



Notes, Cautions, and Warnings



NOTE: A NOTE indicates important information that helps you make better use of your computer.



CAUTION: A CAUTION indicates potential damage to hardware or loss of data if instructions are not followed.



WARNING: A WARNING indicates a potential for property damage, personal injury, or death.

Information in this publication is subject to change without notice.

© 2010 Dell Inc. All rights reserved.

Reproduction of these materials in any manner whatsoever without the written permission of Dell Inc. is strictly forbidden.

Trademarks used in this text: Dell™, the DELL logo, and PowerEdge™ are trademarks of Dell Inc. Citrix™ and XenServer® are either registered trademarks or trademarks of Citrix Systems, Inc. and/or one or more of its subsidiaries, and may be registered in the United States Patent and Trademark Office and in other countries. Intel® is a registered trademark of Intel Corporation in the U.S. and other countries. Microsoft®, Windows®, and Windows Server® are either trademarks or registered trademarks of Microsoft Corporation in the United States and/or other countries. Red Hat® and Red Hat Enterprise Linux® are registered trademarks of Red Hat Inc. in the United States and other countries. SUSE® is a registered trademark of Novell, Inc., in the United States and other countries. VMware® is a registered trademark or trademark (the "Marks") of VMware, Inc. in the United States and/or other jurisdictions. Solaris™ is a trademark of Sun Microsystems, Inc. in the United States and other countries.

Other trademarks and trade names may be used in this publication to refer to either the entities claiming the marks and names or their products. Dell Inc. disclaims any proprietary interest in trademarks and trade names other than its own.

Model BMX01, HHB Series, FHB Series

December 2010

P/N YFFT9

Rev. A00

Installation and Configuration

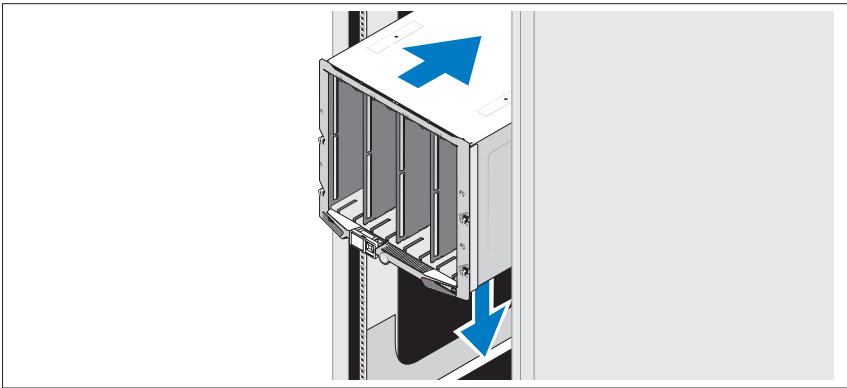
! **WARNING:** Before performing the following procedure, review the safety instructions that came with the system.

This section describes the steps required to set up your system for the first time.

Unpack the System

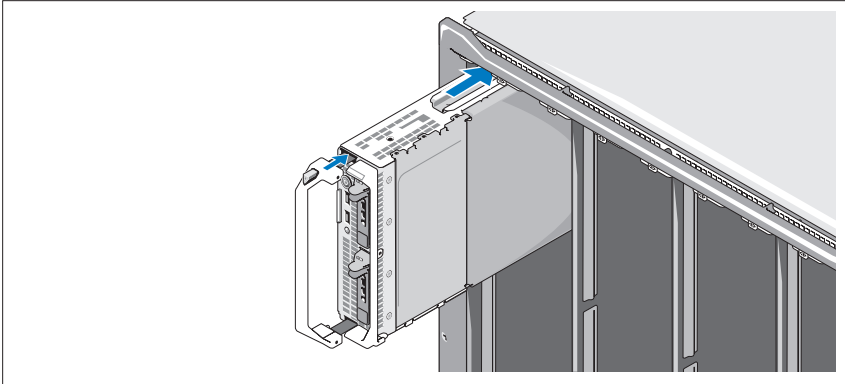
Unpack your system and identify each item.

Installing the Rails and System in a Rack



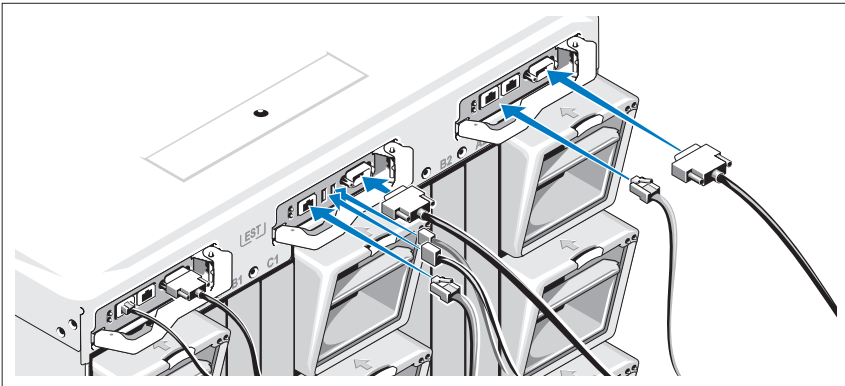
Assemble the rails and install the system in the rack following the safety instructions and the rack installation instructions provided with your enclosure.

Installing the Blades



Beginning at the top, slide the modules into the enclosure from left to right. When the blade is securely installed, the handle returns to the closed position.

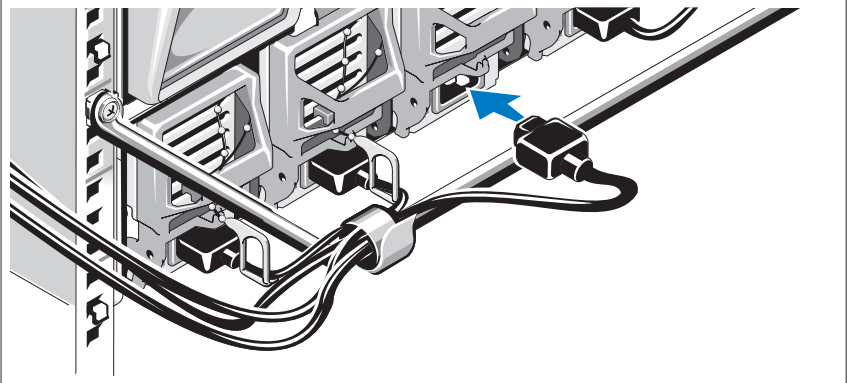
Connecting the CMC and KVM Modules



Connect the serial cable and network cable(s) from the management system to the CMC module. If a second, optional CMC module is installed, connect it as well.

Connect the keyboard, mouse, and monitor to the optional iKVM module.

Connecting the System to Power



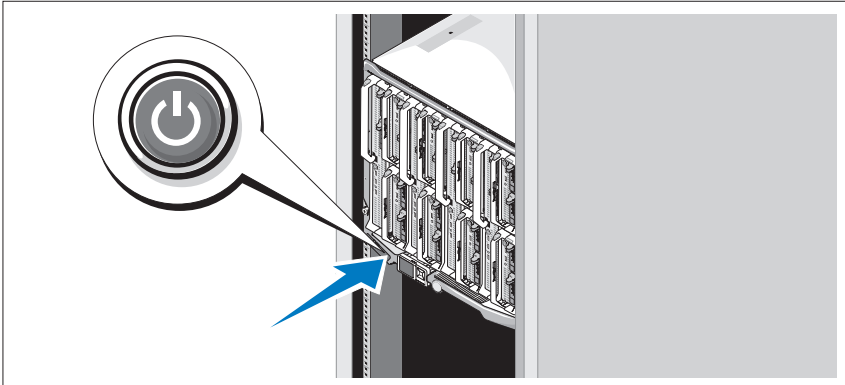
Connect the system's power cables to the system power supplies.

△ **CAUTION:** To prevent the power cables from being disconnected accidentally, use the plastic clip on each power supply to secure the power cable to the power supply, and use the Velcro strap to secure the cable to the strain-relief bar.

Plug the other end of the power cables into a power distribution unit (PDU).

△ **CAUTION:** Do not plug the power cables directly into a power outlet; you must use a PDU. For optimal system functionality, a minimum of three power supplies are required.

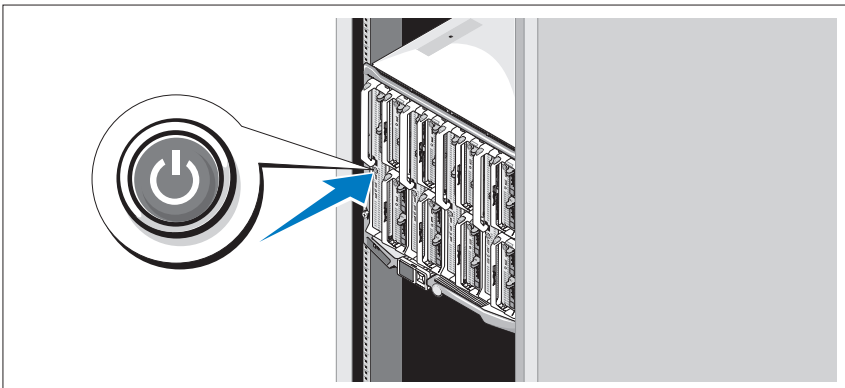
Turning On the System



Press the power button on the enclosure. The power indicator should light.

NOTE: Once you have connected the system to the power supplies, there may be a minimal delay before you can turn on your system.

Turning On the Blades



Press the power button on each blade, or power on the blades using the systems management software.

Complete the Operating System Setup

If you purchased a preinstalled operating system, see the operating system documentation that ships with your system. To install an operating system for the first time, see the installation and configuration documentation for your operating system. Be sure the operating system is installed before installing hardware or software not purchased with the system.

Supported Operating Systems

Operating System	M915	M910	M905	M805	M710	M710HD	M610	M610x	M605
Citrix XenServer 5.5			✓	✓	✓		✓		✓
Citrix XenServer 5.6	✓	✓	✓	✓	✓	✓	✓	✓	✓
Microsoft Windows Server 2008 Hyper-V Server	✓	✓				✓			
Microsoft Windows Essential Business Server 2008 Standard and Premium Editions		✓				✓		✓	
Microsoft Windows HPC Server 2008 (x64)	✓	✓						✓	
Microsoft Windows Server 2008 Standard and Enterprise (x86) Editions		✓			✓	✓	✓	✓	
Microsoft Windows Web Server 2008 (x86) Edition		✓			✓	✓	✓		
Microsoft Windows Web Server 2008 (x86) Edition with SP2		✓							

Operating System	M915	M910	M905	M805	M710	M710HD	M610	M610x	M605
Microsoft Windows Server 2008 Standard and Enterprise (x86) Editions with SP2		✓				✓		✓	
Microsoft Windows Server 2008 Standard, Enterprise, and Datacenter (x64) Editions		✓	✓	✓	✓		✓	✓	
Microsoft Windows Web Server 2008 (x64) Edition		✓			✓		✓	✓	
Microsoft Windows Web Server 2008 (x64) Edition with SP2	✓	✓				✓		✓	
Microsoft Windows Server 2008 R2 Standard, Enterprise, and Datacenter (x64) Editions	✓	✓				✓		✓	
Microsoft Windows Server 2003 Standard and Enterprise Editions									✓
Microsoft Windows Server 2003 Web Edition		✓						✓	✓
Microsoft Windows Server 2003 Standard, Enterprise, and Web Editions with SP1 and later									✓
Microsoft Windows Server 2003 R2 Standard and Enterprise (x86) Editions		✓	✓	✓	✓		✓	✓	✓

Operating System	M915	M910	M905	M805	M710	M710HD	M610	M610x	M605
Microsoft Windows Server 2003 Standard and Enterprise (x64) Editions									✓
Microsoft Windows Server 2003 R2 Standard and Enterprise (x64) Editions			✓	✓	✓		✓	✓	✓
Microsoft Windows Server 2003 R2 Datacenter (x64) Edition					✓		✓	✓	
Microsoft Windows Server 2003 R2 Standard, Enterprise, and Datacenter (x64) Editions with SP2		✓							
Red Hat Enterprise Linux AS, ES, and WS (version 4.0) Update 5 (x86)			✓	✓					✓
Red Hat Enterprise Linux AS, ES, and WS (version 4.0) Update 5 (x86_64)			✓	✓					✓
Red Hat Enterprise Linux AS and ES (version 4.7) (x86)					✓		✓		
Red Hat Enterprise Linux AS and ES (version 4.7) (x86_64)					✓		✓		
Red Hat Enterprise Linux AS and ES (version 4.8) (x86)						✓		✓	

Operating System	M915	M910	M905	M805	M710	M710HD	M610	M610x	M605
Red Hat Enterprise Linux AS and ES (version 4.8) (x86_64)						✓		✓	
Red Hat Enterprise Linux (version 5.0) (x86)			✓	✓		✓			✓
Red Hat Enterprise Linux (version 5.0) (x86_64)			✓	✓	✓	✓			✓
Red Hat Enterprise Linux (version 5.2) (x86)					✓				
Red Hat Enterprise Linux (version 5.5) (x86)	✓					✓		✓	
Red Hat Enterprise Linux (version 5.5) (x86_64)	✓					✓		✓	
Red Hat Enterprise Linux (version 6.0) (x86_64)	✓								
SUSE Linux Enterprise Server 10 (x86_64)			✓	✓	✓				✓
SUSE Linux Enterprise Server 10 (x86_64) SP3	✓	✓				✓		✓	
SUSE Linux Enterprise Server 11 (x86_64)	✓	✓				✓		✓	
Solaris 10 (x86_64)		✓	✓	✓	✓	✓	✓		✓
VMware ESX version 3.0			✓	✓	✓		✓		
VMware ESX version 3.0.2 Update 1									✓
VMware ESX version 3.5			✓	✓	✓		✓		

Operating System	M915	M910	M905	M805	M710	M710HD	M610	M610x	M605
VMware ESX version 4.0 Update 1		✓				✓		✓	
VMware ESXi version 4.0 Update 1		✓				✓		✓	
VMware ESX version 4.0 Update 2	✓								
VMware ESXi version 4.0 Update 2	✓								
VMware ESX version 4.1 Update 1	✓								
VMware ESXi version 4.1 Update 1	✓								

✓—Supported



NOTE: For the latest information on supported operating systems for all PowerEdge systems, see dell.com/ossupport.

Other Information You May Need



WARNING: Before performing the following procedure, review the safety instructions that came with the system.

- The *Configuration Guide* provides information on configuring the system enclosure and the blades.
- *Rack Installation Instructions* included with your rack solution describes how to install your system into a rack.
- The *Hardware Owner's Manual* provides information about system features and describes how to troubleshoot the system and install or replace system components.
- Dell systems management application documentation provides information about installing and using the systems management software.



NOTE: Always check for updates on support.dell.com/manuals and read the updates first because they often supersede information in other documents.

Obtaining Technical Assistance

If you do not understand a procedure in this guide or if the system does not perform as expected, see your *Hardware Owner's Manual*. Dell offers comprehensive hardware training and certification. See dell.com/training for more information. This service may not be offered in all locations.

Technical Specifications

Blade Specifications

Processor

Processor type

PowerEdge M915	Two or four AMD Opteron 6000 series processors (eight- or twelve-core processors)
PowerEdge M910	Two or four Intel Xeon 7000 series processors (up to eight-core processors)
PowerEdge M905	Four dual- or quad-core AMD Opteron 8000 series processors
PowerEdge M805	Two dual- or quad-core AMD Opteron 2000 series processors
PowerEdge M710HD, M710, M610x, M610	One or two dual-, quad-, or six-core Intel Xeon 5000 series processors
PowerEdge M605	One or two dual- or quad-core AMD Opteron 2000 series processors
PowerEdge M600	One or two dual- or quad-core Intel Xeon processors

Memory

Architecture

PowerEdge M915	1333 MHz DDR3 single-, dual-, or quad-ranked registered LV DIMMs (RDIMMs)
PowerEdge M910	DDR3 memory modules, rated for 1066 MHz operation
PowerEdge M905, M805, M605	DDR2 memory modules, rated for 677 MHz operation

Memory (continued)

PowerEdge M710HD	DDR3 and DDR3L single-, dual-, and quad-rank memory modules, rated for 1066 and 1333 MHz
PowerEdge M710, M610x, M610,	800, 1066, or 1333 MHz DDR3 single- or dual-ranked registered DIMMs (RDIMMs) or unbuffered DIMMs (UDIMMs) or 800 or 1066 MHz DDR3 quad-ranked registered DIMMs (RDIMMs) or unbuffered DIMMs (UDIMMs)
PowerEdge M600	FBD memory modules, rated for 677 MHz operation

Memory module sockets

PowerEdge M915, M910	32 240-pin sockets
PowerEdge M905	24 240-pin sockets
PowerEdge M805	16 240-pin sockets
PowerEdge M710HD, M710	18 240-pin sockets
PowerEdge M610x, M610	12 240-pin sockets
PowerEdge M605, M600	Eight 240-pin sockets

Memory module capacities

PowerEdge M915	1 GB, 2 GB, 4 GB, 8 GB, and 16 GB LV DIMMs
PowerEdge M910	1 GB, 2 GB, 4 GB, 8 GB, and 16 GB RDIMMs
PowerEdge M905, M805,	1 GB, 2 GB, 4 GB, and 8 GB
PowerEdge M710HD	1 GB, 2 GB, 4 GB, 8 GB, and 16 GB RDIMMs and LV DIMMs
PowerEdge M710, M610x, M610	2 GB, 4 GB, 8 GB, and 16 GB RDIMMs and LV DIMMs; 1 GB and 2 GB UDIMMs
PowerEdge M605, M600	512 MB, 1 GB, 2 GB, 4 GB, and 8 GB

Minimum RAM

PowerEdge M915	8 GB
PowerEdge M910	4 GB
PowerEdge M905	8 GB (Eight 1 GB memory modules)

Memory (continued)

PowerEdge M805	4 GB (Four 1 GB memory modules)
PowerEdge M710D	4 GB
PowerEdge M710, M610x, M610	One 1 GB memory module (one-processor system) or two 1 GB memory modules (two-processor systems)
PowerEdge M605, M600	1 GB (two 512 MB memory modules)

Maximum RAM

PowerEdge M915	512 GB
PowerEdge M910	512 GB
PowerEdge M905	192 GB
PowerEdge M805	128 GB
PowerEdge M710HD	288 GB
PowerEdge M710	288 GB (Eighteen 16 GB RDIMMs); 36 GB (Eighteen 2 GB UDIMMs)
PowerEdge M610x, M610	192 GB (Twelve 16 GB RDIMMs); 24 GB (Twelve 2 GB UDIMMs)
PowerEdge M605, M600	64 GB

Drives

Hard Drives

PowerEdge M915, M910	Up to two 2.5-inch SAS hard drives support through value RAID or performance RAID storage card. <i>or</i> Up to two 2.5-inch SSD hard drives support through value RAID or performance RAID storage card.
PowerEdge M905, M805	Up to two 2.5-inch SAS hard drives support through value RAID or performance RAID storage card.
PowerEdge M710HD	Up to two 2.5-inch SAS hard drives support through PERC H200 embedded storage controller. <i>or</i> Up to two 2.5-inch SSD hard drives support through PERC H200 embedded storage controller.

Drives (continued)

PowerEdge M710	Up to four 2.5-inch SAS hard drives support through value RAID or performance RAID storage card.
PowerEdge M600, M610x, M610	One 2.5-inch SATA hard drive support through non-RAID, value RAID, or performance RAID storage card. <i>or</i> Two 2.5-inch SATA hard drives support through value RAID or performance RAID storage card. <i>or</i> One solid-state disk (SSD) hard drive support through non-RAID storage card. <i>or</i> Up to two SAS hard drives support through value RAID or performance RAID storage card.
PowerEdge M605	Up to two SATA hard drives support through value RAID or performance RAID storage card. <i>or</i> Up to two solid-state disk (SSD) hard drives support through non-RAID storage card. <i>or</i> Up to two SAS hard drives support through value RAID or performance RAID storage card. NOTE: For all modular systems, SAS and SATA hard drives cannot be mixed within a blade. NOTE: Hot-plug operation is supported if an optional RAID controller card is installed.

Connectors

External

USB

PowerEdge M915, M910, M905, M805, M710	Three 4-pin, USB 2.0 compliant
PowerEdge M710HD, M610x, M610, M605, M600	Two 4-pin, USB 2.0 compliant

Connectors *(continued)*

Internal

Internal Secure Digital (SD) module (PowerEdge M915, M910, M905, M805, M710HD, M710, M610x, M610)	One optional flash memory card slot with the internal SD module.
Internal Secure Digital (SD) vFlash module (PowerEdge M915, M910, M710HD, M710, M610x, M610)	One optional vFlash memory card slot for use with the iDRAC Enterprise support.
USB key (PowerEdge M915, M910, M710HD, M710, M610x, M610)	One internal USB connector.

PCIe Expansion Solution

PowerEdge M610x	Supports two single-wide or one double-wide full length standard PCIe card.
-----------------	---

Mezzanine Cards

PowerEdge M915, M910	Up to four PCIe Gen 2 x8 mezzanine card slots, supporting dual-port Gb Ethernet, 10 Gb Ethernet, FC8 Fibre Channel, or Infiniband mezzanine cards.
PowerEdge M905, M805	Up to four PCIe Gen 1 x8 mezzanine card slots, supporting dual-port Gb Ethernet, 10 Gb Ethernet, FC8 or FC4 Fibre Channel, or 4x DDR Infiniband mezzanine cards.
PowerEdge M710HD	Up to two PCIe Gen 2 x8 mezzanine card slots, supporting dual-port and quad-port Gb Ethernet, 10 Gb Ethernet, FC8 or FC4 Fibre Channel, or 4x DDR Infiniband mezzanine cards.
PowerEdge M710	Up to four PCIe Gen 2 mezzanine card slots (three x8 and one x4 lane width), supporting dual-port Gb Ethernet, 10 Gb Ethernet, FC8 or FC4 Fibre Channel, or 4x DDR Infiniband mezzanine cards.

Mezzanine Cards *(continued)*

PowerEdge M610x, M610	Up to two PCIe Gen 2 x8 mezzanine card slots, supporting dual-port Gb Ethernet, 10 Gb Ethernet, FC8 or FC4 (M610 only) Fibre Channel, or 4x DDR Infiniband mezzanine cards.
-----------------------	---

PowerEdge M605, M600	Up to two PCIe x8 mezzanine card slots, supporting dual-port Gb Ethernet, 10 Gb Ethernet, FC8 or FC4 Fibre Channel, or 4x DDR Infiniband mezzanine cards.
----------------------	---

Embedded Ethernet Controllers

PowerEdge M915, M910, M905, M805, M710HD, M710	Four Ethernet ports with TOE and iSCSI boot support, provided by two integrated dual-port Broadcom 5709S Ethernet controllers.
--	--

PowerEdge M610x, M610	Two Ethernet ports with TOE and iSCSI boot support, provided by one integrated dual-port Broadcom 5709S Ethernet controller.
-----------------------	--

PowerEdge M605, M600	Two Ethernet ports with TOE and iSCSI boot support, provided by two integrated Broadcom 5708S controllers.
----------------------	--

Video Controller

PowerEdge M905, M805, M605, M600	ATI RN50 video controller. 32 MB video memory
----------------------------------	---

PowerEdge M915, M910, M710HD, M710, M610x, M610	Matrox G200 video controller. 8 MB video memory
---	---

Physical

PowerEdge M915

Height	38.5 cm (15.2 in)
--------	-------------------

Width	5 cm (2 in)
-------	-------------

Depth	48.6 cm (19.2 in)
-------	-------------------

Weight (maximum configuration)	12.7 kg (28 lb)
--------------------------------	-----------------

Physical (continued)

PowerEdge M910

Height	38.5 cm (15.2 in)
Width	5 cm (2 in)
Depth	48.6 cm (19.2 in)
Weight (maximum configuration)	13.1 kg (29 lb)

PowerEdge M905, M805,
M710, M610x

Height	38.5 cm (15.2 in)
Width	5 cm (2 in)
Depth	48.6 cm (19.2 in)
Weight (maximum configuration)	11.1 kg (24.5 lb)

PowerEdge M710HD

Height	18.9 cm (7.4 in)
Width	5 cm (2 in)
Depth	48.6 cm (19.2 in)
Weight (maximum configuration)	7.4 kg (16.3 lb)

PowerEdge M605, M600

Height	18.9 cm (7.4 in)
Width	5 cm (2 in)
Depth	48.6 cm (19.2 in)
Weight (maximum configuration)	5.2–6.4 kg (11.5–14.0 lb)

Battery

NVRAM backup battery	CR 2032 3.0-V lithium coin cell
----------------------	---------------------------------

System Enclosure Specifications

Physical

Height	44.0 cm (17.3 in)
Width	44.7 cm (17.6 in)
Depth	75.5 cm (29.7 in)
Weight (maximum configuration)	178.3 kg (392.2 lb)
Weight (empty)	44.6 kg (98.1 lb)

Power Supply Module

AC/DC power supply (per power supply)

Wattage	2360 W and 2700 W
Connector	IEC C20
Heat dissipation	1205 BTU/hr. maximum
Maximum inrush current	Under typical line conditions and over the entire system ambient operating range, the inrush current may reach 55 A per power supply for 10 ms or less.

System Voltage Requirements 14.4 A, 200–240 VAC, 50/60 Hz

Optional Avocent iKVM Module

Externally accessible connectors

USB	Two 4-pin, USB 2.0-compliant connectors for keyboard and mouse support
ACI port	RJ-45
Video	15-pin VGA

Chassis Management Controller Module

Externally accessible connectors

Remote management	Two dedicated 10/100/1000 Mb RJ-45 (for integrated Ethernet remote access controller). Gb port connects to the external management network. STK port allows CMCs in adjacent enclosures to be daisy chained.
Serial	9-pin, DTE, 16550-compatible
Video	15-pin VGA
Battery	CR 2032 3.0-V lithium ion coin cell

Enclosure Control Panel

Externally accessible connectors

USB	Two 4-pin, USB 2.0-compliant connectors for keyboard and mouse support
Video	15-pin VGA
LCD Panel	
Features	Four cursor control keys, one select key, and an LCD screen

Environmental

NOTE: For additional information about environmental measurements for specific system configurations, see dell.com/environmental_datasheets. The system is not for use in an office environment.

Temperature

Operating	10 °C to 35 °C (50 °F to 95 °F) NOTE: Decrease the maximum temperature by 1 °C (1.8 °F) per 300 m (985 ft) above 900 m (2955 ft).
Storage	-40 °C to 65 °C (-40 °F to 149 °F)

Environmental (continued)

Relative humidity

Operating	20% to 80% (noncondensing) at a maximum wet bulb temperature of 29 °C (84.2 °F)
Storage	5% to 95% (noncondensing) at a maximum wet bulb temperature of 38 °C (100.4 °F)

Maximum vibration

Operating	0.26 Grms at 10 Hz–350 Hz for 15 min
Storage	1.54 Grms at 10 Hz–250 Hz for 15 min

Maximum shock

Operating	One shock pulse in the positive z axis (one pulse on each side of the system) of 41 G for up to 2 ms
Storage	Six consecutively executed shock pulses in the positive and negative x, y, and z axes (one pulse on each side of the system) of 71 G for up to 2 ms

Altitude

Operating	–15.2 m to 3048 m (–50 ft to 10,000 ft)
Storage	–15.2 m to 10,600 m (–50 ft to 35,000 ft)

Airborne Contaminant Level

Class	G1 as defined by ISA-S71.04-1985
-------	----------------------------------

I/O Module Specifications

For information about the I/O modules and pass-through modules supported on your enclosure, see the *Dell PowerEdge M1000e Systems Configuration Guide* at support.dell.com/manuals.

Dell PowerEdge
M1000e, M915, M910, M905,
M805, M710HD, M710, M610x,
M610, M605, et M600

Guide de mise en route

Modèle BMX01, série HHB, série FHB



Remarques, précautions et avertissements



REMARQUE : Une REMARQUE indique des informations importantes qui peuvent vous aider à mieux utiliser votre ordinateur.



PRÉCAUTION : Une PRÉCAUTION vous avertit d'un risque d'endommagement du matériel ou de perte de données en cas de non-respect des instructions.



AVERTISSEMENT : Un AVERTISSEMENT indique un risque d'endommagement du matériel, de blessure corporelle ou de mort.

Les informations que contient cette publication sont sujettes à modification sans préavis.
© 2010 Dell Inc. tous droits réservés.

La reproduction de ce document de quelque manière que ce soit sans l'autorisation écrite de Dell Inc. est strictement interdite.

Marques commerciales utilisées dans ce document : Dell™, le logo DELL, et PowerEdge™ sont des marques commerciales de Dell Inc. Citrix™ et XenServer® sont des marques ou des marques déposées de Citrix Systems, Inc. et/ou de l'une ou plusieurs de ses filiales, et peuvent être déposées au Bureau des brevets et marques commerciales des États-Unis et dans d'autres pays. Intel® est une marque déposée de Intel Corporation aux États-Unis et dans d'autres pays. Microsoft®, Windows®, et Windows Server® sont des marques ou des marques déposées de Microsoft Corporation aux États-Unis et/ou dans d'autres pays. Red Hat® et Red Hat Enterprise Linux® sont des marques déposées de Red Hat, Inc. aux États-Unis et dans d'autres pays. SUSE® est une marque déposée de Novell, Inc. aux États-Unis et dans d'autres pays. VMware® est une marque ou une marque déposée de VMware, Inc. aux États-Unis et/ou dans d'autres juridictions. Solaris™ est une marque de Sun Microsystems, Inc. aux États-Unis et dans d'autres pays.

D'autres marques et noms commerciaux peuvent être utilisés dans ce document pour faire référence aux entités se réclamant de ces marques et de ces noms ou à leurs produits. Dell Inc. rejette tout intérêt propriétaire dans les marques et les noms commerciaux autres que les siens.

Modèle BMX01, série HHB, série FHB

Décembre 2010 N/P YFFT9 Rév. A00

Installation et configuration

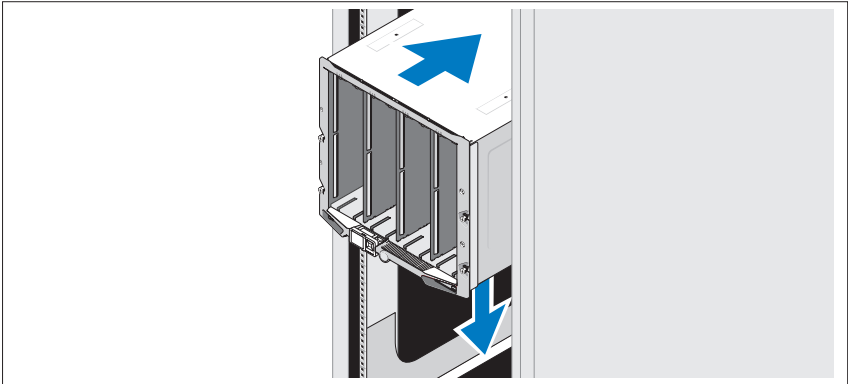
⚠ AVERTISSEMENT : Avant d'exécuter la procédure ci-dessous, lisez les consignes de sécurité fournies avec le système.

Cette section décrit les étapes à exécuter lors de la configuration initiale du système.

Déballage du système

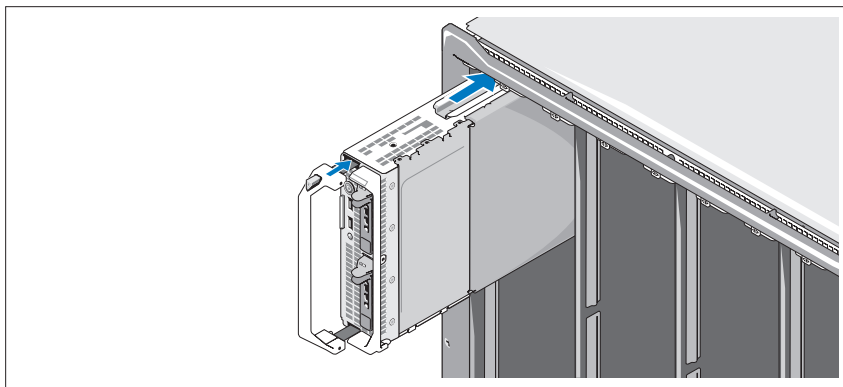
Sortez le système de son emballage et identifiez chaque élément.

Installation des rails et du système dans un rack



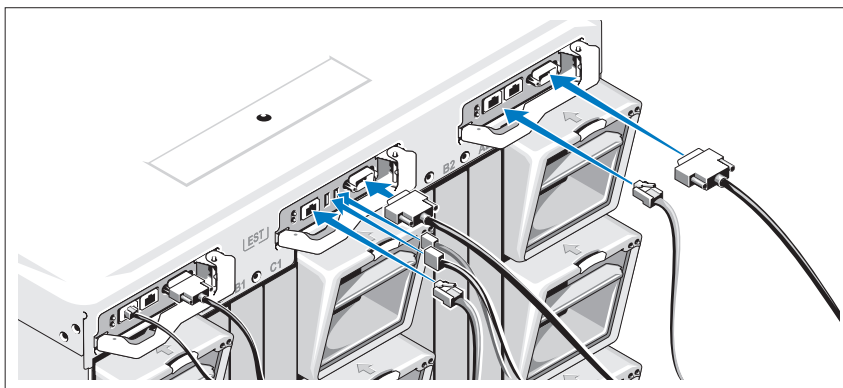
Assemblez les rails et installez le système dans le rack en suivant les consignes de sécurité et les instructions d'installation du rack fournies avec votre boîtier.

Installation des lames



Insérez les modules dans le boîtier en commençant par le haut et en procédant de gauche à droite. Lorsqu'une lame est correctement installée, la poignée revient en position fermée.

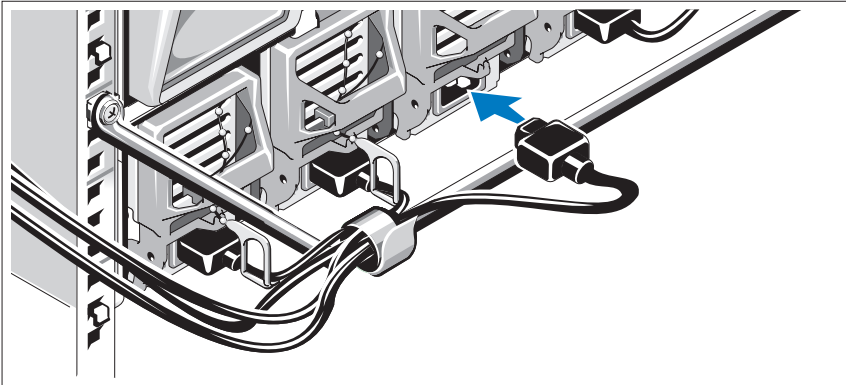
Connexion des modules CMC et KVM



Connectez le câble série et le ou les câbles réseau du système de gestion au module CMC. Si un second module CMC en option est installé, connectez-le également.

Connectez le clavier, la souris et l'écran au module iKVM en option.

Branchement du système sur le secteur



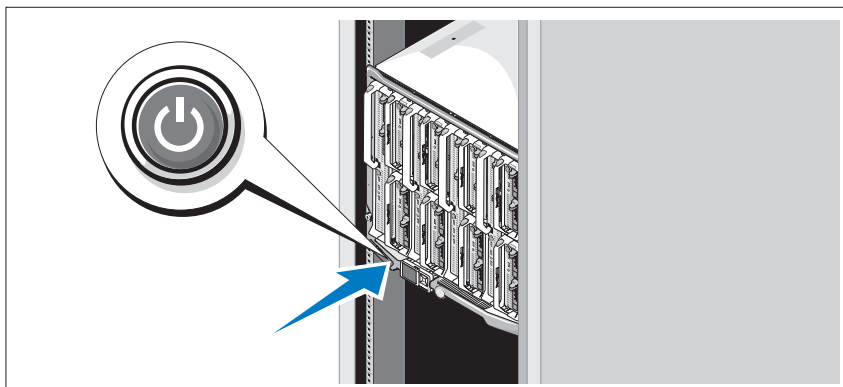
Branchez les câbles d'alimentation du système aux blocs d'alimentation de celui-ci.

△ PRÉCAUTION : Pour éviter que les câbles d'alimentation ne soient débranchés accidentellement, utilisez le clip en plastique situé sur chaque bloc d'alimentation pour y fixer le câble. Utilisez également la bande Velcro permettant de maintenir le câble sur la barre de retenue.

Branchez l'autre extrémité des câbles d'alimentation dans une unité de distribution d'alimentation.

△ PRÉCAUTION : Ne branchez pas les câbles d'alimentation directement sur une prise de courant. Il est impératif d'utiliser une unité de distribution d'alimentation. Pour un fonctionnement optimal du système, utilisez au moins trois blocs d'alimentation.

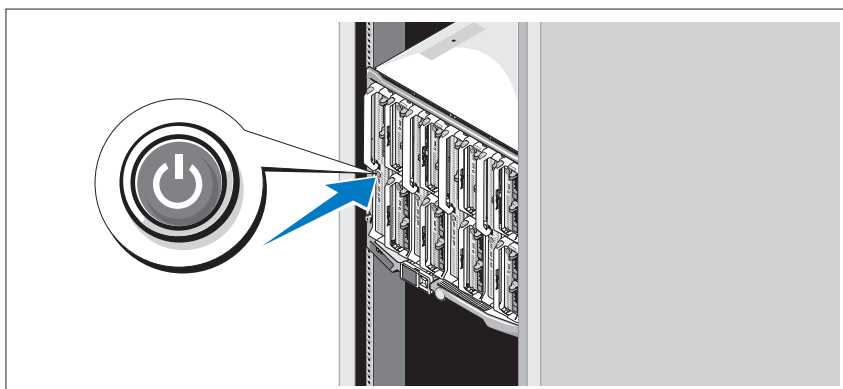
Mise sous tension du système



Appuyez sur le bouton d'alimentation du boîtier. Le voyant d'alimentation doit s'allumer.

REMARQUE : Une fois le système connecté aux blocs d'alimentation, un court laps de temps peut s'écouler avant que vous ne puissiez le mettre sous tension.

Mise sous tension des lames



Mettez chaque lame sous tension en appuyant sur son bouton d'alimentation ou en utilisant le logiciel de gestion des systèmes.

Finalisation de l'installation du système d'exploitation

Si vous avez acheté un système d'exploitation préinstallé, consultez la documentation connexe fournie avec le système. Pour une première installation du système d'exploitation, consultez la documentation relative à l'installation et à la configuration de votre système d'exploitation. Veillez à installer le système d'exploitation avant tout élément matériel ou logiciel acheté séparément.

Systèmes d'exploitation pris en charge

Système d'exploitation	M915	M910	M905	M805	M710	M710HD	M610	M610x	M605
Citrix XenServer 5.5			✓	✓	✓		✓		✓
Citrix XenServer 5.6	✓	✓	✓	✓	✓	✓	✓	✓	✓
Microsoft Windows Server 2008 Hyper-V Server	✓	✓				✓			
Microsoft Windows Essential Business Server 2008, éditions Standard et Premium		✓				✓		✓	
Microsoft Windows HPC Server 2008 (x64)	✓	✓						✓	
Microsoft Windows Server 2008, éditions Standard et Enterprise (x86)		✓			✓	✓	✓	✓	
Microsoft Windows Web Server édition 2008 (x86)		✓			✓	✓	✓		
Microsoft Windows Web Server édition 2008 (x86) avec SP2		✓							

Système d'exploitation	M915	M910	M905	M805	M710	M710HD	M610	M610x	M605
Microsoft Windows Server 2008, éditions Standard et Enterprise (x86) avec SP2		✓				✓		✓	
Microsoft Windows Server 2008, éditions Standard, Enterprise et Datacenter (x64)		✓	✓	✓	✓		✓	✓	
Microsoft Windows Web Server édition 2008 (x64)		✓			✓		✓	✓	
Microsoft Windows Web Server édition 2008 (x64) avec SP2	✓	✓				✓		✓	
Microsoft Windows Server 2008 R2, éditions Standard, Enterprise et Datacenter (x64)	✓	✓				✓		✓	
Microsoft Windows Server 2003, éditions Standard et Enterprise									✓
Microsoft Windows Server 2003, édition Web		✓						✓	✓
Microsoft Windows Server 2003, éditions Standard, Enterprise et Web, avec SP1 et version ultérieure									✓
Microsoft Windows Server 2003 R2, éditions Standard et Enterprise (x86)		✓	✓	✓	✓		✓	✓	✓
Microsoft Windows Server 2003, éditions Standard et Enterprise (x64)									✓

Système d'exploitation	M915	M910	M905	M805	M710	M710HD	M610	M610x	M605
Microsoft Windows Server 2003 R2, éditions Standard et Enterprise (x64)			✓	✓	✓		✓	✓	✓
Microsoft Windows Server 2003 R2, édition Datacenter (x64)					✓		✓	✓	
Microsoft Windows Server 2003 R2, éditions Standard, Enterprise et Datacenter (x64) avec SP2		✓							
Red Hat Enterprise Linux AS, ES et WS (version 4.0), mise à jour 5 (x86)			✓	✓					✓
Red Hat Enterprise Linux AS, ES et WS (version 4.0), mise à jour 5 (x86_64)			✓	✓					✓
Red Hat Enterprise Linux AS et ES (version 4.7) (x86)					✓		✓		
Red Hat Enterprise Linux AS et ES (version 4.7) (x86_64)					✓		✓		
Red Hat Enterprise Linux AS et ES (version 4.8) (x86)						✓		✓	
Red Hat Enterprise Linux AS et ES (version 4.8) (x86_64)						✓		✓	
Red Hat Enterprise Linux (version 5.0) (x86)			✓	✓		✓			✓

Système d'exploitation	M915	M910	M905	M805	M710	M710HD	M610	M610x	M605
Red Hat Enterprise Linux (version 5.0) (x86_64)			✓	✓	✓	✓			✓
Red Hat Enterprise Linux (version 5.2) (x86)					✓				
Red Hat Enterprise Linux (version 5.5) (x86)	✓					✓		✓	
Red Hat Enterprise Linux (version 5.5) (x86_64)	✓					✓		✓	
Red Hat Enterprise Linux (version 6.0) (x86_64)	✓								
SUSE Linux Enterprise Server 10 (x86_64)			✓	✓	✓				✓
SUSE Linux Enterprise Server 10 (x86_64) SP3	✓	✓				✓		✓	
SUSE Linux Enterprise Server 11 (x86_64)	✓	✓				✓		✓	
Solaris 10 (x86_64)		✓	✓	✓	✓	✓	✓		✓
VMware ESX Version 3.0			✓	✓	✓		✓		
VMware ESX version 3.0.2, mise à jour 1									✓
VMware ESX version 3.5			✓	✓	✓		✓		

Système d'exploitation	M915	M910	M905	M805	M710	M710HD	M610	M610x	M605
VMware ESX version 4.0, mise à jour 1		✓				✓		✓	
VMware ESXi version 4.0, mise à jour 1		✓				✓		✓	
VMware ESX version 4.0, mise à jour 2	✓								
VMware ESXi version 4.0, mise à jour 2	✓								
VMware ESX version 4.1, mise à jour 1	✓								
VMware ESXi version 4.1, mise à jour 1	✓								

✓—Pris en charge



REMARQUE : Pour obtenir les informations les plus récentes sur les systèmes d'exploitation pris en charge pour tous les systèmes PowerEdge, consultez la page à l'adresse dell.com/ossupport.

Autres informations utiles



AVERTISSEMENT : Avant d'exécuter la procédure ci-dessous, lisez les consignes de sécurité fournies avec le système.

- Le *Guide de configuration* fournit des informations sur la configuration du boîtier du système et des lames.
- Les *Instructions d'installation du rack*, fournies avec le rack, indiquent comment installer le système dans un rack.
- Le *Manuel du propriétaire du matériel* présente les fonctionnalités du système et contient des informations de dépannage ainsi que des instructions d'installation ou de remplacement des composants du système.

- La documentation relative aux applications de gestion des systèmes Dell fournit des informations sur l'installation et l'utilisation du logiciel de gestion des systèmes.



REMARQUE : Vérifiez toujours si des mises à jour sont disponibles sur le site support.dell.com/manuals et lisez-les en premier, car elles remplacent souvent les informations que contiennent les autres documents.

Obtention d'une assistance technique

Si vous ne comprenez pas une procédure décrite dans ce guide ou si le système ne fonctionne pas comme prévu, voir le *Manuel du propriétaire du matériel*. Dell offre une formation complète avec certification sur le matériel. Consultez la page dell.com/training pour de plus amples informations. Ce service n'est disponible que dans certains pays.

Caractéristiques techniques

Spécifications des lames

Processeur

Type de processeur

PowerEdge M915	Deux ou quatre processeurs AMD Opteron série 6000 (à huit ou douze cœurs)
PowerEdge M910	Deux ou quatre processeurs Intel Xeon série 7000 (jusqu'à 8 cœurs)
PowerEdge M905	Quatre processeurs AMD Opteron série 8000 double-cœur ou quadruple- cœur
PowerEdge M805	Deux processeurs AMD Opteron série 2000 double-cœur ou quadruple-cœur
PowerEdge M710HD, M710, M610x, M610	Un ou deux processeurs Intel Xeon série 5000, à deux, quatre ou six cœurs
PowerEdge M605	Un ou deux processeurs AMD Opteron série 2000 double-cœur ou quadruple-cœur
PowerEdge M600	Un ou deux processeurs Intel Xeon double-cœur ou quadruple-cœur

Mémoire

Architecture

PowerEdge M915	DIMM enregistrées (RDIMM) VL, de type DDR3 à simple, double ou quadruple rangée cadencées à 1333 MHz
PowerEdge M910	Barrettes de mémoire DDR3, cadencées à 1066 MHz
PowerEdge M905, M805, M605	Barrettes de mémoire DDR2, cadencées à 677 MHz
PowerEdge M710HD	Barrettes de mémoire DDR3 et DDR3L à simple, double et quadruple rangée, cadencées à 1066 et 1333 MHz
PowerEdge M710 M610x, M610,	DIMM enregistrées (RDIMM) ou DIMM sans tampon (UDIMM), de type DDR3 à simple ou double rangée cadencées à 800, 1066 ou 1333 MHz ou DIMM enregistrées (RDIMM) ou DIMM sans tampon (UDIMM), de type DDR3 à quadruple rangée cadencées à 800 ou 1066 MHz
PowerEdge M600	Barrettes de mémoire FBD, cadencées à 677 MHz

Connecteurs de barrettes de mémoire

PowerEdge M915, M910	32 connecteurs à 240 broches
PowerEdge M905	24 connecteurs à 240 broches
PowerEdge M805	16 connecteurs à 240 broches
PowerEdge M710HD, M710	18 connecteurs à 240 broches
PowerEdge M610x, M610	12 connecteurs à 240 broches
PowerEdge M605, M600	8 connecteurs à 240 broches

Capacité des barrettes de mémoire

PowerEdge M915	DIMM LV de 1 Go, 2 Go, 4 Go, 8 Go, et 16 Go
PowerEdge M910	RDIMM de 1 Go, 2 Go, 4 Go, 8 Go et 16 Go
PowerEdge M905, M805	1 Go, 2 Go, 4 Go et 8 Go

Mémoire (suite)

PowerEdge M710HD	1 Go, 2 Go, 4 Go, 8 Go et 16 Go RDIMM et DIMM LV
PowerEdge M710, M610x, M610	RDIMM et DIMM LV de 2 Go, 4 Go, 8 Go et 16 Go ; UDIMM de 1 Go et 2 Go
PowerEdge M605, M600	512 Mo, 1 Go, 2 Go, 4 Go et 8 Go

RAM minimale

PowerEdge M915	8 Go
PowerEdge M910	4 Go
PowerEdge M905	8 Go (huit barrettes de mémoire de 1 Go)
PowerEdge M805	4 Go (quatre barrettes de mémoire de 1 Go)
PowerEdge M710D	4 Go
PowerEdge M710, M610x, M610	Une barrette de mémoire de 1 Go (systèmes à processeur unique) ou deux barrettes de mémoire de 1 Go (systèmes à processeurs doubles)
PowerEdge M605, M600	1 Go (deux barrettes de mémoire de 512 Mo)

RAM maximale

PowerEdge M915	512 Go
PowerEdge M910	512 Go
PowerEdge M905	192 Go
PowerEdge M805	128 Go
PowerEdge M710HD	288 Go
PowerEdge M710	288 Go (18 RDIMM de 16 Go) ; 36 Go (18 UDIMM de 2 Go)
PowerEdge M610x M610	192 Go (douze RDIMM de 16 Go) ; 24 Go (douze UDIMM de 2 Go)
PowerEdge M605, M600	64 Go

Lecteurs

Disques Durs

PowerEdge M915, M910	Prise en charge d'un ou de deux disques durs SAS 2,5 pouces via un adaptateur de stockage RAID de valeur ou haute performance. <i>ou</i> Prise en charge d'un ou de deux disques durs SSD 2,5 pouces via un adaptateur de stockage RAID de valeur ou haute performance.
PowerEdge M905, M805	Prise en charge d'un ou de deux disques durs SAS 2,5 pouces via un adaptateur de stockage RAID de valeur ou haute performance.
PowerEdge M710HD	Prise en charge d'un ou de deux disques durs SAS 2,5 pouces via un contrôleur de stockage intégré PERC H200. <i>ou</i> Prise en charge d'un ou de deux disques durs SSD 2,5 pouces via un contrôleur de stockage intégré PERC H200.
PowerEdge M710	Prise en charge d'un à quatre disques durs SAS 2,5 pouces via un adaptateur de stockage RAID de valeur ou haute performance.
PowerEdge M600, M610x, M610	Prise en charge d'un disque dur SATA 2,5 pouces via un adaptateur de stockage non-RAID, RAID de valeur ou RAID haute performance. <i>ou</i> Prise en charge de deux disques durs SATA 2,5 pouces via un adaptateur de stockage RAID de valeur ou haute performance. <i>ou</i> Prise en charge d'un disque dur SSD via un adaptateur de stockage non-RAID. <i>ou</i> Prise en charge d'un ou de deux disques durs SAS via un adaptateur de stockage RAID de valeur ou haute performance.

Lecteurs *(suite)*

PowerEdge M605

Prise en charge d'un ou de deux disques durs SATA via un adaptateur de stockage RAID de valeur ou haute performance.

ou

Prise en charge d'un ou de deux disques durs SSD via un adaptateur de stockage non-RAID.

ou

Prise en charge d'un ou de deux disques durs SAS via un adaptateur de stockage RAID de valeur ou haute performance.

REMARQUE : Dans tous les systèmes modulaires, il n'est pas possible de combiner des disques durs SAS et SATA au sein d'une même lame.

REMARQUE : L'ajout et le retrait à chaud des disques sont pris en charge si une carte de contrôleur RAID en option est installée.

Connecteurs

Externe

USB

PowerEdge M910, M905, M805, M710 Trois connecteurs à 4 broches, compatibles USB 2.0

PowerEdge M710HD, M610x, M610, M605, M600 Deux connecteurs à 4 broches, compatibles USB 2.0

Connecteurs *(suite)*

Interne

Module Secure Digital (SD) interne (PowerEdge M915, M910, M905, M805, M710HD, M710, M610x, M610)	Un logement pour carte mémoire flash, en option, avec le module interne SD.
Module Secure Digital (SD) VFlash interne (PowerEdge M915, M910, M710HD, M710, M610x, M610)	Un logement pour carte mémoire VFlash, en option, pour une utilisation avec iDRAC Enterprise.
Clé USB (PowerEdge M915, M910, M710HD, M710, M610x, M610)	Un connecteur interne pour clé USB.

Solution d'extension PCIe

PowerEdge M610x	Prend en charge deux cartes à largeur simple ou une carte à double largeur PCIe standard pleine longueur.
-----------------	---

Cartes mezzanine

PowerEdge M915, M910	Jusqu'à quatre logements de carte mezzanine PCIe x8 2ème génération, prenant en charge des cartes mezzanine à double port Ethernet Gigabit, Ethernet 10 Gigabits, Fibre Channel FC8 ou Infiniband.
PowerEdge M905, M805	Jusqu'à quatre logements de carte mezzanine PCIe x8 1ère génération, prenant en charge des cartes mezzanine à double port Ethernet Gigabit, Ethernet 10 Gigabits, Fibre Channel FC8 ou FC4 ou Infiniband DDR 4x.
PowerEdge M710HD	Jusqu'à deux logements de carte mezzanine PCIe x8 2ème génération, prenant en charge des cartes mezzanine à double et quadruple port Ethernet Gigabit, Ethernet 10 Gigabits, Fibre Channel FC8 ou FC4 ou Infiniband DDR 4x.

Cartes mezzanine (suite)

PowerEdge M710 Jusqu'à quatre logements de carte mezzanine PCIe 2ème génération (trois emplacements x8 et un emplacement x4), prenant en charge des cartes mezzanine à double port Ethernet Gigabit, Ethernet 10 Gigabits, Fibre Channel FC8 ou FC4 ou Infiniband DDR 4x.

PowerEdge M610x, M610 Jusqu'à deux logements de carte mezzanine PCIe x8 2ème génération, prenant en charge des cartes mezzanine à double port Ethernet Gigabit, Ethernet 10 Gigabits, Fibre Channel FC8 ou FC4 (M610 uniquement) ou Infiniband DDR 4x.

PowerEdge M605, M600 Jusqu'à deux logements de carte mezzanine PCIe x8, prenant en charge des cartes mezzanine à double port Ethernet Gigabit, Ethernet 10 Gigabits, Fibre Channel FC8 ou FC4 ou Infiniband DDR 4x.

Contrôleurs Ethernet intégrés

PowerEdge M915, M910, M905, M805, M710HD, M710 Quatre ports Ethernet avec prise en charge d'amorçage TOE et iSCSI, assurée par deux contrôleurs intégrés Ethernet Broadcom 5709S à double port.

PowerEdge M610x, M610 Deux ports Ethernet avec prise en charge d'amorçage TOE et iSCSI, assurée par un contrôleur intégré Ethernet Broadcom 5709S à double port.

PowerEdge M605, M600 Deux ports Ethernet avec prise en charge d'amorçage TOE et iSCSI, assurée par deux contrôleurs intégrés Broadcom 5708S.

Contrôleur vidéo

PowerEdge M905, M805, M605, M600 Contrôleur vidéo ATI RN50. Mémoire vidéo de 32 Mo

PowerEdge M915, M910, M710HD, M710, M610x, M610 Contrôleur vidéo Matrox G200. Mémoire vidéo de 8 Mo

Caractéristiques physiques

PowerEdge M915

Hauteur	38,5 cm (15,2 pouces)
Largeur	5 cm (2 pouces)
Profondeur	48,6 cm (19,2 pouces)
Poids (configuration maximale)	12,7 kg (28 livres)

PowerEdge M910

Hauteur	38,5 cm (15,2 pouces)
Largeur	5 cm (2 pouces)
Profondeur	48,6 cm (19,2 pouces)
Poids (configuration maximale)	13,1 kg (29 livres)

PowerEdge M905, M805,
M710, M610x

Hauteur	38,5 cm (15,2 pouces)
Largeur	5 cm (2 pouces)
Profondeur	48,6 cm (19,2 pouces)
Poids (configuration maximale)	11,1 kg (24,5 livres)

PowerEdge M710HD

Hauteur	18,9 cm (7,4 pouces)
Largeur	5 cm (2 pouces)
Profondeur	48,6 cm (19,2 pouces)
Poids (configuration maximale)	7,4 kg (16,3 livres)

PowerEdge M605, M600

Hauteur	18,9 cm (7,4 pouces)
Largeur	5 cm (2 pouces)
Profondeur	48,6 cm (19,2 pouces)
Poids (configuration maximale)	5,2–6,4 kg (11,5-14 livres)

Pile

Batterie de sauvegarde NVRAM	Pile bouton au lithium CR 2032 (3 V)
---------------------------------	--------------------------------------

Spécifications du boîtier

Caractéristiques physiques

Hauteur	44 cm (17,3 pouces)
Largeur	44,7 cm (17,6 pouces)
Profondeur	75,5 cm (29,7 pouces)
Poids (configuration maximale)	178,3 kg (392,2 livres)
Poids (vide)	44,6 kg (98,1 livres)

Bloc d'alimentation

Bloc d'alimentation en CA/CC (selon la tension en vigueur)

Puissance	2360 W et 2700 W
Connecteur	IEC C20
Dissipation thermique	1205 BTU/h. maximum
Appel de courant maximal	Dans des conditions de ligne normales et dans les limites de la température ambiante de fonctionnement du système, le courant d'appel peut atteindre 55 A par bloc d'alimentation pendant un maximum de 10 ms.
Tension requise pour le système	14,4 A, 200–240 VCA, 50/60 Hz

Module Avocent iKVM en option

Connecteurs accessibles de l'extérieur

USB	Deux connecteurs compatibles USB 2.0 à 4 broches pour le branchement d'un clavier et d'une souris
Port ACI	RJ-45
Vidéo	VGA à 15 broches

Module CMC (Contrôleur de gestion de châssis)

Connecteurs accessibles de l'extérieur

Gestion à distance	Deux connecteurs RJ-45 10/100/1000 Mo dédiés (pour le contrôleur d'accès à distance Ethernet intégré). Le port Gb est utilisé pour la connexion au réseau de gestion externe. Le port STK permet de relier en série des contrôleurs CMC installés dans des boîtiers adjacents.
Série	Un connecteur DTE à 9 broches, compatible 16550
Vidéo	Un connecteur VGA à 15 broches
Pile	Pile bouton au lithium-ion CR 2032 (3 V)

Panneau de commande du boîtier

Connecteurs accessibles de l'extérieur

USB	Deux connecteurs compatibles USB 2.0 à 4 broches pour le branchement d'un clavier et d'une souris
Vidéo	Un connecteur VGA à 15 broches

Écran LCD

Fonctionnalités	Quatre touches de commande du curseur, une touche de sélection, et un écran LCD
-----------------	---

Conditions environnementales

REMARQUE : Pour plus d'informations concernant les mesures environnementales liées à différentes configurations spécifiques, consultez la page à l'adresse dell.com/environmental_datasheets. Le système n'est pas conçu pour être utilisé dans un bureau.

Température

En fonctionnement	de 10°C à 35°C (de 50°F à 95°F) REMARQUE : Au dessus de 900 m (2955 pieds),réduisez la température maximale de 1°C (1.8°F) par 300 m (985 pieds).
Stockage	de -40°C à 65°C (de -40°F à 149°F)

Conditions environnementales (suite)

Humidité relative

En fonctionnement	20% à 80% (sans condensation) à une température de condensation maximale de 29 °C (84,2°F)
Stockage	5% à 95% (sans condensation) à une température de condensation maximale de 38°C (100,4°F)

Tolérance maximale aux vibrations

En fonctionnement	0,26 Grms avec un balayage de 10 à 350 Hz pendant 15 mn
Stockage	1,54 Grms avec un balayage de 10 à 250 Hz pendant 15 mn

Choc maximal

En fonctionnement	Une impulsion de choc de 41 G pendant un maximum de 2 ms sur l'axe z positif (une impulsion de chaque côté du système)
Stockage	Six chocs consécutifs de 71 G pendant un maximum de 2 ms en positif et négatif sur les axes x, y et z (une impulsion de chaque côté du système)

Altitude

En fonctionnement	de -15,2 m à 3 048 m (de -50 pieds à 10 000 pieds)
Stockage	de -15,2 m à 10 600 m (de -50 pieds à 35 000 pieds)

Niveau des contaminants en suspension dans l'air

Classe	G1 selon la norme ISA-S71.04-1985
--------	-----------------------------------

Spécifications des modules d'E/S

Pour plus d'informations sur les modules d'E/S et les modules de passerelle pris en charge sur votre boîtier, consultez le guide *Dell PowerEdge M1000e Systems Configuration Guide* (Guide de configuration des systèmes Dell PowerEdge M1000e), à l'adresse support.dell.com/manuals.

Dell PowerEdge
M1000e, M915, M910, M905,
M805, M710HD, M710, M610x,
M610, M605 e M600

Primeiros passos com o sistema



Notas, Avisos e Advertências



NOTA: Uma NOTA fornece informações importantes para ajudar você a usar melhor o computador.



AVISO: um AVISO indica um potencial de danos ao hardware ou a perda de dados se as instruções não forem seguidas.



ADVERTÊNCIA: uma ADVERTÊNCIA indica um potencial de danos à propriedade, risco de lesões corporais ou mesmo de risco de vida.

As informações contidas nesta publicação estão sujeitas a alterações sem aviso prévio.

© 2010 Dell Inc. Todos os direitos reservados.

Qualquer forma de reprodução deste material sem a permissão por escrito da Dell Inc. é expressamente proibida.

Marcas comerciais usadas neste texto: Dell™, o logotipo da DELL e PowerEdge™ são marcas comerciais da Dell Inc. Citrix™ e XenServer® são marcas registradas ou marcas comerciais da Citrix Systems, Inc. e/ou de uma ou mais de suas subsidiárias e podem estar registradas no Órgão de Patentes e Marcas Comerciais dos Estados Unidos e em outros países. Intel® é marca comercial registrada da Intel Corporation nos Estados Unidos e em outros países. Microsoft®, Windows® e Windows Server® são marcas comerciais ou marcas registradas da Microsoft Corporation nos Estados Unidos e/ou em outros países. Red Hat® e Red Hat Enterprise Linux® são marcas registradas da Red Hat, Inc. nos Estados Unidos e/ou em outros países. SUSE® é marca registrada da Novell, Inc. nos Estados Unidos e em outros países. VMware® é marca comercial ou marca registrada (as “Marcas”) da VMware, Inc. nos Estados Unidos e/ou outras jurisdições. Solaris™ é marca comercial da Sun Microsystems, Inc. nos Estados Unidos e em outros países.

Outras marcas e nomes comerciais podem ser usados nesta publicação como referência às entidades que reivindicam essas marcas e nomes ou a seus produtos. A Dell Inc. renuncia ao direito de qualquer participação em nomes e marcas comerciais que não sejam de sua propriedade.

Modelo BMX01, série HHB, série FHB

Dezembro de 2010

N/P YFFT9

Rev. A00

Instalação e configuração

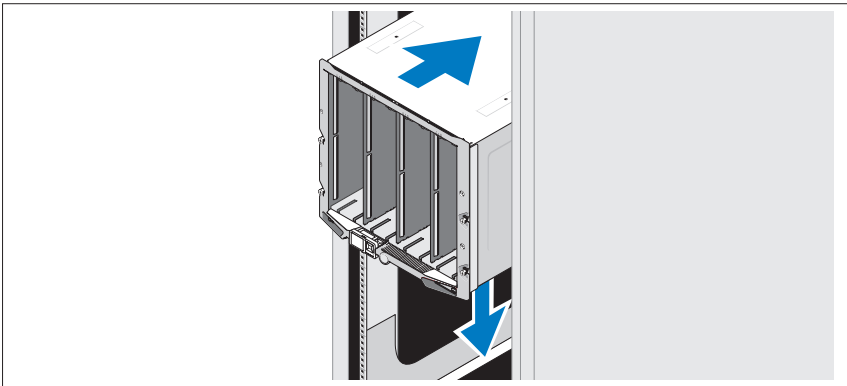
⚠ ADVERTÊNCIA: Antes de executar o procedimento abaixo, siga as instruções de segurança fornecidas com o sistema.

Esta seção descreve as etapas necessárias para a configuração do sistema pela primeira vez.

Remover o sistema da embalagem

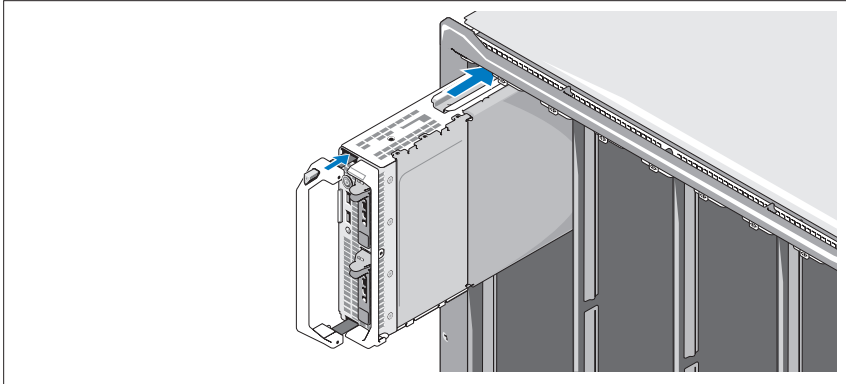
Remova o sistema da embalagem e identifique cada item.

Como instalar os trilhos e o sistema no rack



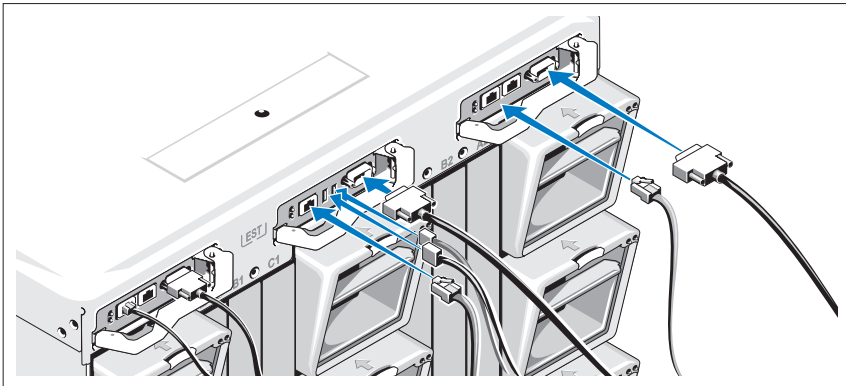
Monte os trilhos e instale o sistema no rack seguindo as instruções de segurança e as instruções de instalação do rack fornecidas com o sistema.

Como instalar as lâminas



Deslize os módulos da caixa da esquerda para a direita, começando da parte superior. Quando a lâmina estiver instalada com segurança, a alça retorna para a posição fechada.

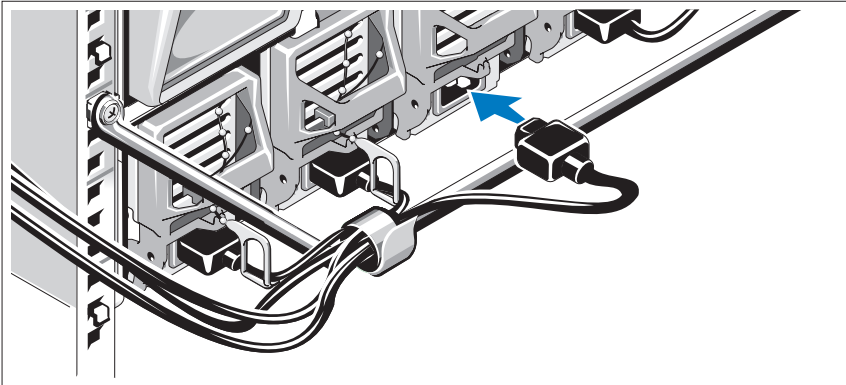
Como conectar os módulos CMC e KVM



Conecte os cabos serial e de rede do sistema de gerenciamento ao módulo CMC. Se um segundo módulo CMC opcional estiver instalado, conecte-o também.

Conecte o teclado, o mouse e o monitor ao módulo iKVM opcional.

Como conectar o sistema à energia



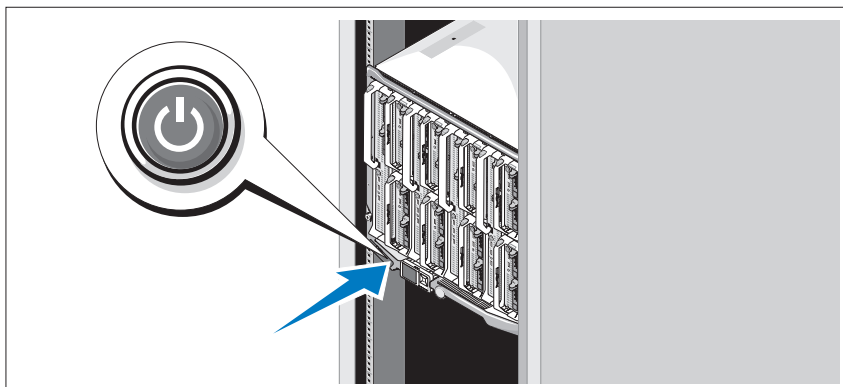
Conecte os cabos de alimentação do sistema às fontes de alimentação.

△ **AVISO:** Para evitar que os cabos de alimentação se desconectem acidentalmente, use o clipe plástico de cada fonte de alimentação para prender o cabo à fonte e a tira de velcro para prender o cabo à barra de alívio de tensão.

Conecte a outra extremidade do cabo de alimentação a unidade de distribuição de energia (PDU).

△ **AVISO:** Não conecte os cabos de alimentação diretamente em uma tomada elétrica; você deve usar uma PDU. Para a funcionalidade ideal do sistema, é necessário um mínimo de três fontes de alimentação.

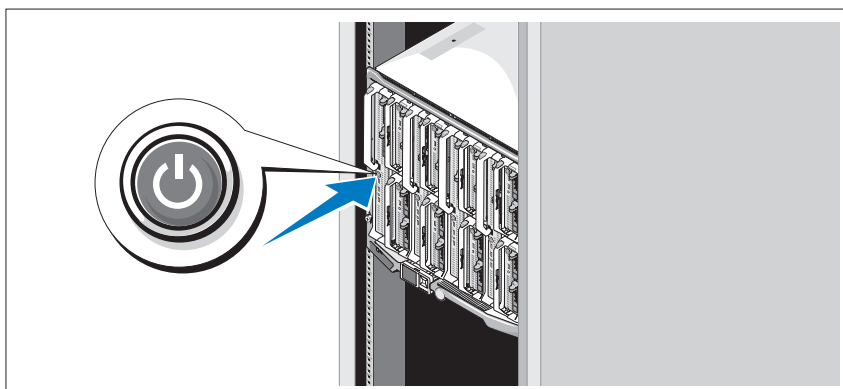
Como ligar o sistema



Pressione o botão liga/desliga da caixa. A luz indicadora de energia deverá se acender.

NOTA: Assim que você tiver conectado o sistema às fontes de alimentação, poderá haver uma demora mínima até que você possa ligar o sistema.

Como ligar as lâminas



Pressione o botão liga/desliga de cada lâmina ou ligue as lâminas através do software de gerenciamento de sistemas.

Concluir a configuração do sistema operacional

Se você tiver adquirido um sistema operacional pré-instalado, consulte a documentação do sistema operacional fornecida. Para instalar um sistema operacional pela primeira vez, consulte a documentação de instalação e configuração do sistema operacional. Certifique-se de que o sistema operacional esteja instalado antes de instalar qualquer hardware ou software que não tenha sido adquirido com o sistema.

Sistemas operacionais compatíveis

Sistema operacional	M915	M910	M905	M805	M710	M710HD	M610	M610x	M605
Citrix XenServer 5.5			✓	✓	✓		✓		✓
Citrix XenServer 5.6	✓	✓	✓	✓	✓	✓	✓	✓	✓
Microsoft Windows Server 2008 Hyper-V Server	✓	✓				✓			
Microsoft Windows Essential Business Server 2008, edições Standard e Premium		✓				✓		✓	
Microsoft Windows HPC Server 2008 (x64)	✓	✓						✓	
Microsoft Windows Server 2008, edições Standard e Enterprise (x86)		✓			✓	✓	✓	✓	
Microsoft Windows edição Web Server 2008(x86)		✓			✓	✓	✓		
Microsoft Windows edição Web Server 2008 (x86) com SP2		✓							
Microsoft Windows Server 2008, edições Standard e Enterprise (x86) com SP2		✓				✓		✓	

Sistema operacional	M915	M910	M905	M805	M710	M710HD	M610	M610x	M605
Microsoft Windows Server 2008, edições Standard, Enterprise e Datacenter (x64)		✓	✓	✓	✓		✓	✓	
Microsoft Windows edição Web Server 2008 (x64)		✓			✓		✓	✓	
Microsoft Windows edição Web Server 2008 (x64) com SP2	✓	✓				✓		✓	
Microsoft Windows Server 2008 R2, edições Standard, Enterprise e Datacenter (x64)	✓	✓				✓		✓	
Microsoft Windows Server 2003, edições Standard e Enterprise									✓
Microsoft Windows Server 2003, edição Web		✓						✓	✓
Microsoft Windows Server 2003, edições Standard Enterprise e Web com SP1 e posterior									✓
Microsoft Windows Server 2003 R2, edições Standard e Enterprise (x86)		✓	✓	✓	✓		✓	✓	✓
Microsoft Windows Server 2003, edições Standard e Enterprise (x64)									✓

Sistema operacional	M915	M910	M905	M805	M710	M710HD	M610	M610x	M605
Microsoft Windows Server 2003 R2, edições Standard e Enterprise (x64)			✓	✓	✓		✓	✓	✓
Microsoft Windows Server 2003 R2, edição Datacenter (x64)					✓		✓	✓	
Microsoft Windows Server 2003 R2, edições Standard, Enterprise e Datacenter (x64) com SP2		✓							
Red Hat Enterprise Linux AS, ES e WS (versão 4.0) Atualização 5 (x86)			✓	✓					✓
Red Hat Enterprise Linux AS, ES e WS (versão 4.0) Atualização 5 (x86_64)			✓	✓					✓
Red Hat Enterprise Linux AS e ES (versão 4.7) (x86)					✓		✓		
Red Hat Enterprise Linux AS e ES (versão 4.7) (x86_64)					✓		✓		
Red Hat Enterprise Linux AS e ES (versão 4.8) (x86)						✓		✓	
Red Hat Enterprise Linux AS e ES (versão 4.8) (x86_64)						✓		✓	

Sistema operacional	M915	M910	M905	M805	M710	M710HD	M610	M610x	M605
Red Hat Enterprise Linux (versão 5) (x86)			✓	✓		✓			✓
Red Hat Enterprise Linux (versão 5.0) (x86_64)			✓	✓	✓	✓			✓
Red Hat Enterprise Linux (versão 5.2) (x86)					✓				
Red Hat Enterprise Linux (versão 5.5) (x86)	✓					✓		✓	
Red Hat Enterprise Linux (versão 5.5) (x86_64)	✓					✓		✓	
Red Hat Enterprise Linux (versão 6.0) (x86_64)	✓								
SUSE Linux Enterprise Server 10 (x86_64).			✓	✓	✓				✓
SUSE Linux Enterprise Server 10 SP3 (x86_64)	✓	✓				✓		✓	
SUSE Linux Enterprise Server 11 (x86_64)	✓	✓				✓		✓	
Solaris 10 (x86_64)		✓	✓	✓	✓	✓	✓		✓
VMware ESX versão 3.0			✓	✓	✓		✓		
VMware ESX versão 3.0.2 Atualização 1									✓
VMware ESX versão 3.5			✓	✓	✓		✓		

Sistema operacional	M915	M910	M905	M805	M710	M710HD	M610	M610x	M605
VMware ESX versão 4.0, atualização 1		✓				✓		✓	
VMware ESXi, versão 4.0, atualização 1		✓				✓		✓	
VMware ESX versão 4.0, atualização 2	✓								
VMware ESXi, versão 4.0, atualização 2	✓								
VMware ESX versão 4.1, atualização 1	✓								
VMware ESXi, versão 4.1, atualização 1	✓								

✓ — compatível



NOTA: Para obter as informações mais recentes sobre os sistemas operacionais compatíveis com todos os sistemas PowerEdge, consulte o site dell.com/ossupport.

Outras informações úteis



ADVERTÊNCIA: Antes de executar o procedimento abaixo, siga as instruções de segurança fornecidas com o sistema.

- O *Configuration Guide* (Guia de configuração) fornece informações sobre como configurar a caixa e as lâminas do sistema.
- As *instruções para instalação em rack* incluídas com o rack descrevem como instalar o sistema em racks.
- O *manual do proprietário de hardware* fornece informações sobre os recursos do sistema e descreve como solucionar problemas do sistema e instalar ou trocar componentes.

- A documentação do aplicativo de gerenciamento de sistemas Dell fornece informações sobre como instalar e usar o software de gerenciamento de sistemas.



NOTA: Sempre verifique se há atualizações disponíveis no site support.dell.com/manuals (em inglês) e leia primeiro as atualizações, pois estas geralmente substituem informações contidas em outros documentos.

Obter assistência técnica

Se você não entender algum procedimento descrito neste guia ou se o sistema não apresentar o desempenho esperado, consulte o *manual do proprietário de hardware*. A Dell oferece treinamento e certificação abrangentes de hardware. Para obter mais informações, consulte dell.com/training. Esse serviço pode não ser oferecido em todos os locais.

Especificações técnicas

Especificações da lâmina

Processador

Tipo de processador

PowerEdge M915	Dois ou quatro processadores AMD Opteron série 6000 (processadores de oito ou doze núcleos)
PowerEdge M910	Dois ou quatro processadores Intel Xeon série 7000 (processadores com até oito núcleos)
PowerEdge M905	Quatro processadores de dois ou quatro núcleos AMD Opteron série 8000
PowerEdge M805	Dois processadores de dois ou quatro núcleos AMD Opteron Série 2000
PowerEdge M710HD, M710, M610x, M610	Um ou dois processadores de dois, quatro ou seis núcleos Intel Xeon série 5000
PowerEdge M605	Um ou dois processadores de dois ou quatro núcleos AMD Opteron Série 2000
PowerEdge M600	Um ou dois processadores de dois ou quatro núcleos Intel Xeon

Memória

Arquitetura

PowerEdge M915	LV DIMMs (RDIMMs) registrados, com single-rank, dual-rank ou quad-rank de 1333 MHz
PowerEdge M910	Módulos de memória DDR3, ajustados para a operação de 1066 MHz
PowerEdge M905, M805, M605	Módulos de memória DDR2, ajustados para a operação de 677 MHz
PowerEdge M710HD	Módulos de memória DDR3 e DDR3L com single-rank, dual-rank e quad-rank, ajustados para 1066 e 1333-MHz
PowerEdge M710, M610x, M610,	DIMMs (UDIMMs) sem buffer ou DIMMs (RDIMMs) registrados, com single-rank ou dual-rank DDR3 de 800, 1066 ou 1333 MHz ou DIMMs (UDIMMs) sem buffer ou DIMMs (RDIMMs) registrados com quad-rank DDR3 de 800 ou 1066 MHz
PowerEdge M600	Módulos de memória FBD ajustados para operação em 677 MHz

Soquetes de módulos de memória

PowerEdge M915, M910	32 soquetes de 240 pinos
PowerEdge M905	24 soquetes de 240 pinos
PowerEdge M805	16 soquetes de 240 pinos
PowerEdge M710HD, M710	18 soquetes de 240 pinos
PowerEdge M610x, M610	12 soquetes de 240 pinos
PowerEdge M605, M600	Oito soquetes de 240 pinos

Memória (continuação)

Capacidades dos módulos de memória

PowerEdge M915	LV DIMMs de 1 GB, 2 GB, 4 GB, 8 GB e 16 GB
PowerEdge M910	RDIMMs de 1 GB, 2 GB, 4 GB, 8 GB ou 16 GB
PowerEdge M905, M805,	1 GB, 2 GB, 4 GB ou 8 GB
PowerEdge M710HD	1 GB, 2 GB, 4 GB, 8 GB ou 16 GB RDIMMs e LV DIMMs
PowerEdge M710, M610x, M610	2 GB, 4 GB, 8 GB, 16 GB RDIMMs e LV DIMMs; UDIMMs de 1 GB ou 2 GB
PowerEdge M605, M600	512 MB, 1 GB, 2 GB, 4 GB ou 8 GB

Mínimo de RAM

PowerEdge M915	8 GB
PowerEdge M910	4 GB
PowerEdge M905	8 GB (oito módulos de memória de 1 GB)
PowerEdge M805	4 GB (quatro módulos de memória de 1 GB)
PowerEdge M710D	4 GB
PowerEdge M710, M610x, M610	Um módulo de memória de 1 GB (sistemas com um processador) ou dois módulos de memória de 1 GB (sistemas com dois processadores)
PowerEdge M605, M600	1 GB (dois módulos de memória de 512 MB)

Máximo de RAM

PowerEdge M915	512 GB
PowerEdge M910	512 GB
PowerEdge M905	192 GB
PowerEdge M805	128 GB
PowerEdge M710HD	288 GB
PowerEdge M710	288 GB (dezoito RDIMMs de 16 GB); 36 GB (dezoito UDIMMs de 2 GB)

Memória (continuação)

PowerEdge M610x, M610	192 GB (doze RDIMMs de 16 GB); 24 GB (doze UDIMMs de 2 GB);
PowerEdge M605, M600	64 GB

Unidades

Discos rígidos

PowerEdge M915, M910	Suporte para até duas unidades de disco rígido SAS de 2,5 polegadas via cartão de armazenamento RAID de desempenho ou RAID de valor. <i>ou</i> Suporte para até duas unidades de disco rígido SSD de 2,5 polegadas via cartão de armazenamento RAID de desempenho ou RAID de valor.
PowerEdge M905, M805	Suporte para até duas unidades de disco rígido SAS de 2,5 polegadas via cartão de armazenamento RAID de desempenho ou RAID de valor.
PowerEdge M710HD	Suporte para até dois discos rígidos SAS de 2,5 polegadas via controlador de armazenamento integrado ao PERC H200. <i>ou</i> Suporte para até dois discos rígidos SSD de 2,5 polegadas via controlador de armazenamento integrado ao PERC H200.
PowerEdge M710	Suporte para até quatro unidades de disco rígido SAS de 2,5 polegadas via cartão de armazenamento RAID de desempenho ou RAID de valor.

Unidades *(continuação)*

PowerEdge M600,
M610x, M610

Suporte para uma unidade de disco rígido SATA de 2,5 polegadas via cartão de armazenamento RAID de desempenho, RAID de valor ou não-RAID.

ou

Suporte para duas unidades de disco rígido SATA de 2,5 polegadas via cartão de armazenamento RAID de desempenho ou RAID de valor.

ou

Suporte para uma unidade de disco rígido de SSD via cartão de armazenamento não-RAID.

ou

Suporte para até duas unidades de disco rígido SAS via cartão de armazenamento RAID de desempenho ou RAID de valor.

PowerEdge M605

Suporte para até duas unidades de disco rígido SATA via cartão de armazenamento RAID de desempenho ou RAID de valor.

ou

Suporte para até duas unidades de disco rígido de SSD via cartão de armazenamento não-RAID.

ou

Suporte para até duas unidades de disco rígido SAS via cartão de armazenamento RAID de desempenho ou RAID de valor.

NOTA: Para todos os sistemas modulares, as unidades de disco rígido SAS e SATA não podem ser misturadas em uma lâmina.

NOTA: Operação de conexão automática compatível se estiver instalada uma placa controladora RAID opcional.

Conectores

Externos

USB

PowerEdge M915, M910, Três de 4 pinos, compatível com USB 2.0
M905, M805, M710

Conectores (continuação)

PowerEdge M710HD, M610x, M610, M605, M600	Dois de 4 pinos, compatível com USB 2.0
---	---

Internos

Módulo SD (Secure Digital) interno (PowerEdge M915, M910, M905, M805, M710HD, M710, M610x, M610)	Um slot de cartão de memória flash opcional com o módulo SD interno.
Módulo vFlash SD (Secure Digital) interno (PowerEdge M915, M910, M710HD, M710, M610x, M610)	Um slot de placa de memória VFlash opcional para uso com o suporte iDRAC para empresas.
Chave USB (PowerEdge M915, M910, M710HD, M710, M610x, M610)	Um soquete interno de chave USB.

Solução de expansão PCIe

PowerEdge M610x	Suporte para duas placas PCIe single-wide ou uma placa PCIe double-wide com comprimento total padrão.
-----------------	---

Placas para mezanino

PowerEdge M915, M910	Até quatro slots de placa PCIe Gen 2 x8, com suporte a placas Gb Ethernet de porta dupla, 10 Gb Ethernet, FC8 Fibre Channel ou 4x DDR Infiniband para mezanino.
PowerEdge M905, M805	Até quatro slots de placa PCIe Gen 2 x8 para mezanino, com suporte a placas Gb Ethernet de duas portas, 10 Gb Ethernet, FC8 ou FC4 Fibre Channel ou 4x DDR Infiniband para mezanino.
PowerEdge M710HD	Até dois slots de placa PCIe Gen 2 x8 para mezanino, com suporte a placas Gb Ethernet de duas ou quatro portas, 10 Gb Ethernet, FC8 ou FC4 Fibre Channel ou 4x DDR Infiniband para mezanino.

Placas para mezanino (continuação)

PowerEdge M710	Até quatro slots de placa PCIe Gen 2 (três trilhas de x8 e uma trilha de x4 de largura), com suporte a placas Gb Ethernet de duas portas, 10 Gb Ethernet, FC8 ou FC4 Fibre Channel ou 4x DDR Infiniband para mezanino.
PowerEdge M610x, M610	Até dois slots de placa PCIe Gen 2 x8 para mezanino, com suporte a placas Gb Ethernet de duas portas, 10 Gb Ethernet, FC8 ou FC4 (somente para o M610) Fibre Channel ou 4x DDR Infiniband para mezanino.
PowerEdge M605, M600	Até dois slots de placa PCIe x8 para mezanino, com suporte a placas Gb Ethernet de porta dupla, 10 Gb Ethernet, FC8 ou FC4 Fibre Channel ou 4x DDR Infiniband para mezanino.

Controladores Ethernet integrados

PowerEdge M915, M910, M905, M805, M710HD, M710	Quatro portas Ethernet com TOE e suporte de inicialização iSCSI, fornecidas com dois controladores Ethernet Broadcom 5709S de duas portas integrados.
PowerEdge M610x, M610	Duas portas Ethernet com TOE e suporte de inicialização iSCSI, fornecidas com um controlador Ethernet Broadcom 5709S de duas portas integrado.
PowerEdge M605, M600	Duas portas Ethernet com TOE e suporte de inicialização iSCSI, fornecidas com dois controladores Ethernet Broadcom 5708S integrados.

Controlador de vídeo

PowerEdge M905, M805, M605, M600	Controlador de vídeo ATI RN50. Memória de vídeo de 32 MB
PowerEdge M915, M910, M710HD, M710, M610x, M610	Controlador de vídeo Matrox G200. Memória de vídeo de 8 MB

Características físicas

PowerEdge M915

Altura	38,5 cm (15,2 polegadas)
Largura	5 cm (2 polegadas)
Profundidade	48,6 cm (19,2 polegadas)
Peso (configuração máxima)	12,7 kg (28 libras)

PowerEdge M910

Altura	38,5 cm (15,2 polegadas)
Largura	5 cm (2 polegadas)
Profundidade	48,6 cm (19,2 polegadas)
Peso (configuração máxima)	13,1 kg (29 libras)

PowerEdge M905, M805, M710, M610x

Altura	38,5 cm (15,2 polegadas)
Largura	5 cm (2 polegadas)
Profundidade	48,6 cm (19,2 polegadas)
Peso (configuração máxima)	11,1 kg (24,5 libras)

PowerEdge M710HD

Altura	18,9 cm (7,4 polegadas)
Largura	5 cm (2 polegadas)
Profundidade	48,6 cm (19,2 polegadas)
Peso (configuração máxima)	7,4 kg (16,3 libras)

PowerEdge M605, M600

Altura	18,9 cm (7,4 polegadas)
Largura	5 cm (2 polegadas)
Profundidade	48,6 cm (19,2 polegadas)
Peso (configuração máxima)	5,2–6,4 kg (11,5–14,0 libras)

Bateria

Bateria de backup NVRAM bateria de célula tipo moeda de lítio CR 2032 de 3,0 V

Especificações da caixa do sistema

Características físicas

Altura	44,0 cm (17,3 polegadas)
Largura	44,7 cm
Profundidade	75,5 cm (29,7 polegadas)
Peso (configuração máxima)	178,3 kg (392,2 libras)
Peso (vazio)	44,6 kg (98,1 libras)

Módulo da fonte de alimentação

Fonte de alimentação CA/CC (por fonte de alimentação)

Potência	2.360 W e 2.700 W
Conector	IEC C20
Dissipação de calor	1205 BTU/h. no máximo
Corrente de entrada máxima	Sob condições de linha típicas e dentro da faixa de temperatura ambiente de funcionamento do sistema, a corrente de entrada poderá atingir 55 A por fonte de alimentação por 10 ms ou menos.
Requisitos de tensão do sistema	14,4 A, 200–240 VCA, 50/60 Hz

Módulo Avocent iKVM opcional

Conectores acessíveis externamente

USB	Dois conectores de 4 pinos compatíveis com USB 2.0 para teclado e mouse
Porta ACI	RJ-45
Vídeo	VGA de 15 pinos

Módulo controlador de gerenciamento do chassi

Conectores acessíveis externamente

Gerenciamento remoto	Duas portas RJ-45 10/100/1000 Mb (para controlador de acesso remoto Ethernet integrado). A porta Gb conecta-se com a rede de gerenciamento externa. A porta STK permite que os CMCs em caixas adjacentes sejam conectados em margarida.
Serial	DTE de 9 pinos, compatível com 16550
Vídeo	VGA de 15 pinos
Bateria	Bateria tipo moeda de íons de lítio, CR 2032 de 3,0 V

Painel de controle da caixa

Conectores acessíveis externamente

USB	Dois conectores de 4 pinos compatíveis com USB 2.0 para teclado e mouse
Vídeo	VGA de 15 pinos

Painel LCD

Recursos	Quatro teclas de controle do cursor, uma tecla de seleção, tela LCD
----------	---

Requisitos ambientais

NOTA: Para obter informações adicionais sobre os valores dos requisitos ambientais para configurações de sistema específicas, visite o site dell.com/environmental_datasheets. O sistema não se destina à utilização em escritórios.

Temperatura

De operação	10° C a 35° C (50° F a 95° F) NOTA: Diminua a temperatura máxima em 1 °C (1,8 °F) para cada 300 m (985 pés) acima de 900 m (2.955 pés) de altitude.
De armazenamento	-40° C a 65° C (-40° F a 149° F)

Requisitos ambientais (continuação)

Umidade relativa

De operação	20% a 80% (sem condensação) em uma temperatura máxima do bulbo úmido de 29° C (84,2° F)
De armazenamento	5% a 95% (sem condensação) em uma temperatura máxima do bulbo úmido de 38° C (100,4° F)

Vibração máxima

De operação	0,26 g RMS a 10–350 Hz por 15 minutos
De armazenamento	1,54 g RMS a 10–250 Hz por 15 minutos

Choque máximo

De operação	Um pulso de choque no eixo z positivo (um pulso de cada lado do sistema) de 41 G por até 2 ms
De armazenamento	Seis pulsos de choque aplicados consecutivamente nos eixos x, y e z positivos e negativos (um pulso de cada lado do sistema) de 71 G por até 2 ms

Altitude

De operação	–15,2 m a 3.048 m (–50 pés a 10.000 pés)
De armazenamento	–15,2 m a 10.600 m (–50 pés a 35.000 pés)

Nível de poluentes transportados pelo ar

Classe	G1 conforme definido pela norma ISA-S71.04-1985
--------	---

Especificações do módulo de E/S

Para obter informações sobre os módulos de E/S e de passagem compatíveis com o compartimento, consulte o guia *Dell PowerEdge M1000e Systems Configuration Guide* no endereço support.dell.com/manuals (em inglês).

Dell PowerEdge
M1000e, M915, M910, M905,
M805, M710HD, M710, M610x,
M610, M605 y M600

Procedimientos iniciales con el sistema



Notas, precauciones y avisos



NOTA: Una NOTA proporciona información importante que le ayudará a utilizar mejor el equipo.



PRECAUCIÓN: Un mensaje de PRECAUCIÓN indica la posibilidad de que se produzcan daños en el hardware o haya pérdida de datos si no se siguen las instrucciones.



AVISO: Un AVISO indica la posibilidad de que se produzcan daños materiales, lesiones personales e, incluso, riesgo de muerte.

La información contenida en esta publicación podrá modificarse sin previo aviso.

© 2010 Dell Inc. Todos los derechos reservados.

Queda estrictamente prohibida la reproducción de este material en cualquier forma sin la autorización escrita de Dell Inc.

Las marcas comerciales que se utilizan en este texto: Dell™, el logotipo de DELL y PowerEdge™ son marcas comerciales de Dell Inc. Citrix™ y XenServer® son marcas comerciales o marcas comerciales registradas de Citrix Systems, Inc. o de una o más de sus subsidiarias, y pueden estar registradas en la Oficina de Patentes y Marcas de los Estados Unidos y en otros países. Intel® es una marca comercial registrada de Intel Corporation en los Estados Unidos y en otros países. Microsoft®, Windows®, y Windows Server® son marcas comerciales o marcas comerciales registradas de Microsoft Corporation en los Estados Unidos o en otros países. Red Hat® y Red Hat Enterprise Linux® son marcas comerciales registradas de Red Hat, Inc. en los Estados Unidos y en otros países. SUSE® es una marca comercial registrada de Novell, Inc. en los Estados Unidos y en otros países. VMware® es una marca comercial o marca comercial registrada (las "Marcas") de VMware, Inc. en los Estados Unidos o en otras jurisdicciones. Solaris™ es una marca comercial de Sun Microsystems, Inc. en los Estados Unidos y en otros países.

Esta publicación puede incluir otras marcas y nombres comerciales que se utilicen para hacer referencia a sus titulares o a sus productos. Dell Inc. renuncia a cualquier interés sobre la propiedad de marcas y nombres comerciales que no sean los suyos propios.

Modelo BMX01, serie HHB, serie FHB

Diciembre de 2010 N/P YFFT9 Rev. A00

Instalación y configuración

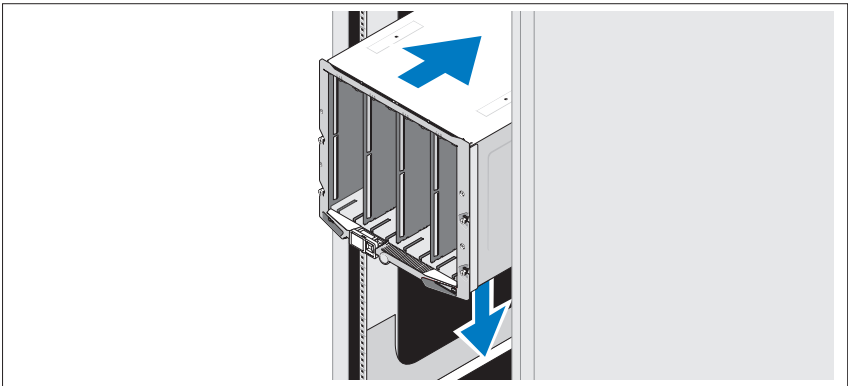
⚠ AVISO: Antes de realizar el procedimiento siguiente, revise las instrucciones de seguridad incluidas con el sistema.

En esta sección, se describen los pasos necesarios para configurar el sistema por primera vez.

Desembalaje del sistema

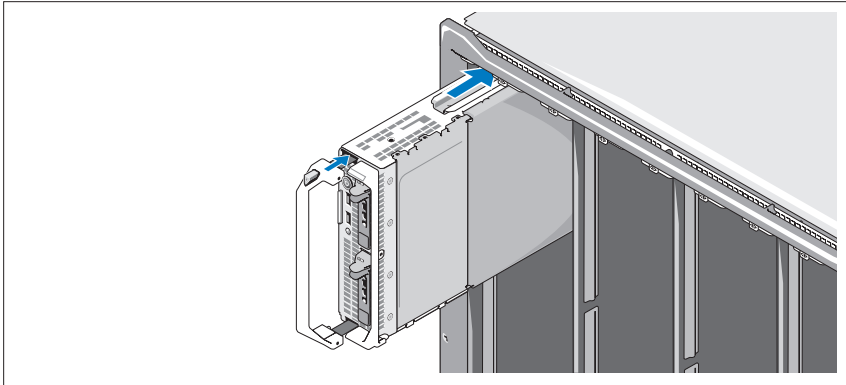
Desembale el sistema e identifique cada elemento.

Instalación de los rieles y del sistema en un rack



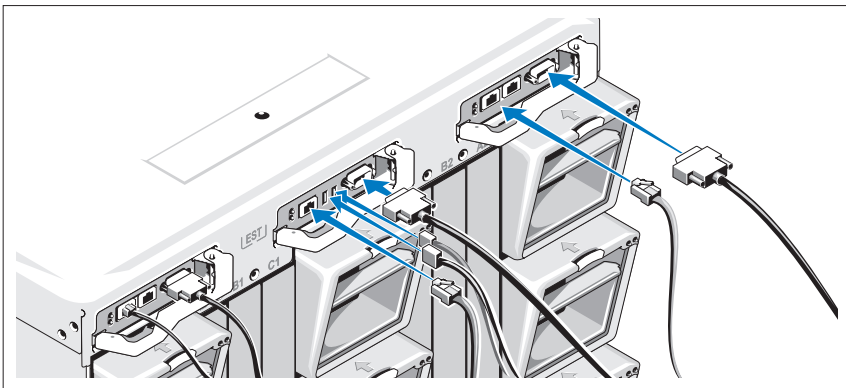
Monte los rieles e instale el sistema en el rack siguiendo las instrucciones de seguridad y de instalación del rack incluidas con el alojamiento.

Instalación de los módulos de alta densidad



Empezando por la parte superior, inserte los módulos en el alojamiento de izquierda a derecha. Una vez que el módulo de alta densidad esté bien instalado, el asa volverá a la posición de cierre.

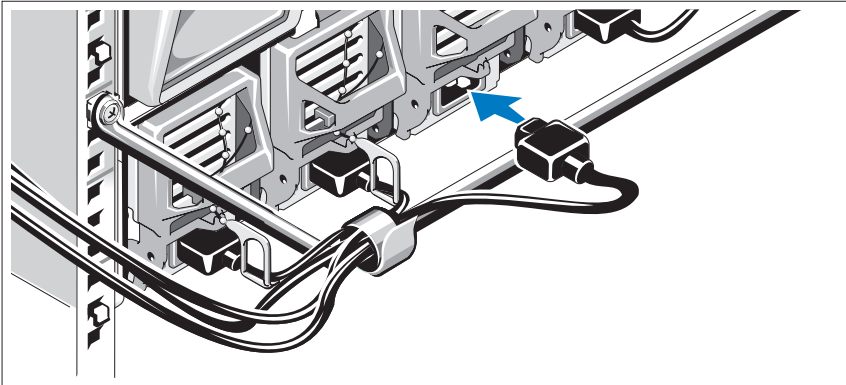
Conexión de los módulos CMC y KVM



Conecte el cable serie y los cables de red del sistema de administración al módulo CMC. Si va a instalar un segundo módulo CMC opcional, conéctelo también.

Conecte el teclado, el ratón y el monitor al módulo iKVM opcional.

Conexión del sistema a la alimentación



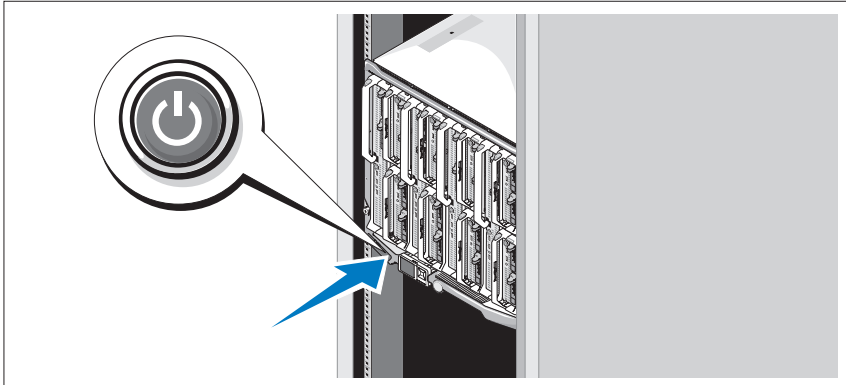
Conecte los cables de alimentación del sistema a las fuentes de alimentación.

△ **PRECAUCIÓN:** Para evitar que los cables de alimentación se desconecten accidentalmente, utilice el gancho de plástico de cada fuente de alimentación para fijar el cable a la fuente de alimentación, y utilice la correa de velcro para fijar el cable a la barra liberadora de tensión.

Enchufe el otro extremo de los cables de alimentación en la unidad de distribución de alimentación (PDU).

△ **PRECAUCIÓN:** No enchufe los cables de alimentación directamente a un toma eléctrico; debe utilizar una PDU. Para que el sistema funcione de forma óptima, se necesitan tres fuentes de alimentación como mínimo.

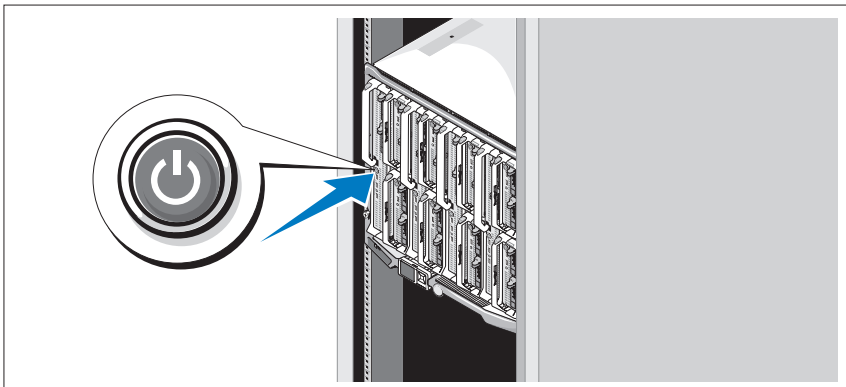
Encendido del sistema



Pulse el botón de encendido del alojamiento. El indicador de alimentación debería encenderse.

NOTA: Después de conectar el sistema a las fuentes de alimentación, puede producirse una pequeña demora antes de poder encender el sistema.

Encendido de los módulos de alta densidad



Pulse el botón de encendido de cada módulo de alta densidad o encienda los módulos mediante el software de administración de sistemas.

Instalación del sistema operativo

Si ha adquirido un sistema operativo preinstalado, consulte la documentación del sistema operativo que se suministra con el sistema. Para instalar un sistema operativo por primera vez, consulte la documentación de instalación y configuración del sistema operativo. Asegúrese de que el sistema operativo está instalado antes de instalar hardware o software no adquirido con el sistema.

Sistemas operativos compatibles

Sistema operativo	M915	M910	M905	M805	M710	M710HD	M610	M610x	M605
Citrix XenServer 5.5			✓	✓	✓		✓		✓
Citrix XenServer 5.6	✓	✓	✓	✓	✓	✓	✓	✓	✓
Servidor Microsoft Windows Server 2008 Hyper-V	✓	✓				✓			
Microsoft Windows Essential Business Server 2008, ediciones Standard y Premium		✓				✓		✓	
Microsoft Windows HPC Server 2008 (x64)	✓	✓						✓	
Microsoft Windows Server 2008, ediciones Standard y Enterprise (x86)		✓			✓	✓	✓	✓	
Microsoft Windows Web Server 2008 edición (x86)		✓			✓	✓	✓		
Microsoft Windows Web Server 2008 edición (x86) con SP2		✓							

Sistema operativo	M915	M910	M905	M805	M710	M710HD	M610	M610x	M605
Microsoft Windows Server 2008, ediciones Standard y Enterprise (x86) con SP2		✓				✓		✓	
Microsoft Windows Server 2008, ediciones Standard, Enterprise y Datacenter (x64)		✓	✓	✓	✓		✓	✓	
Microsoft Windows Web Server 2008 edición (x64)		✓			✓		✓	✓	
Microsoft Windows Web Server 2008 edición (x64) con SP2	✓	✓				✓		✓	
Microsoft Windows Server 2008 R2, ediciones Standard, Enterprise y Datacenter (x64)	✓	✓				✓		✓	
Microsoft Windows Server 2003, ediciones Standard y Enterprise									✓
Microsoft Windows Server 2003, edición Web		✓						✓	✓
Microsoft Windows Server 2003, ediciones Standard, Enterprise y Web con SP1, y posteriores									✓
Microsoft Windows Server 2003 R2, ediciones Standard y Enterprise (x86)		✓	✓	✓	✓		✓	✓	✓

Sistema operativo	M915	M910	M905	M805	M710	M710HD	M610	M610x	M605
Microsoft Windows Server 2003, ediciones Standard y Enterprise (x64)									✓
Microsoft Windows Server 2003 R2, ediciones Standard y Enterprise (x64)			✓	✓	✓		✓	✓	✓
Microsoft Windows Server 2003 R2, edición Datacenter (x64)					✓		✓	✓	
Microsoft Windows Server 2003 R2, ediciones Standard, Enterprise y Datacenter (x64) con SP2		✓							
Red Hat Enterprise Linux AS, ES y WS (versión 4.0) actualización 5 (x86)			✓	✓					✓
Red Hat Enterprise Linux AS, ES y WS (versión 4.0) actualización 5 (x86_64)			✓	✓					✓
Red Hat Enterprise Linux AS y ES (versión 4.7) (x86)					✓		✓		
Red Hat Enterprise Linux AS y ES (versión 4.7) (x86_64)					✓		✓		
Red Hat Enterprise Linux AS y ES (versión 4.8) (x86)						✓		✓	

Sistema operativo	M915	M910	M905	M805	M710	M710HD	M610	M610x	M605
Red Hat Enterprise Linux AS y ES (versión 4.8) (x86_64)						✓		✓	
Red Hat Enterprise Linux (versión 5.0) (x86)			✓	✓		✓			✓
Red Hat Enterprise Linux (versión 5.0) x86_64			✓	✓	✓	✓			✓
Red Hat Enterprise Linux (versión 5.2) (x86)					✓				
Red Hat Enterprise Linux (versión 5.5) (x86)	✓					✓		✓	
Red Hat Enterprise Linux (versión 5.5) (x86_64)	✓					✓		✓	
Red Hat Enterprise Linux (versión 6.0) (x86_64)	✓								
SUSE Linux Enterprise Server 10 (x86_64)			✓	✓	✓				✓
SUSE Linux Enterprise Server 10 (x86_64) SP3	✓	✓				✓		✓	
SUSE Linux Enterprise Server 11 (x86_64)	✓	✓				✓		✓	
Solaris 10 (x86_64)		✓	✓	✓	✓	✓	✓		✓
VMware ESX Versión 3.0			✓	✓	✓		✓		
VMware ESX versión 3.0.2 actualización 1									✓
VMware ESX Versión 3.5			✓	✓	✓		✓		

Sistema operativo	M915	M910	M905	M805	M710	M710HD	M610	M610x	M605
VMware ESX versión 4.0 actualización 1		✓				✓		✓	
VMware ESXi versión 4.0 actualización 1		✓				✓		✓	
VMware ESX versión 4.0 actualización 2	✓								
VMware ESXi versión 4.0 actualización 2	✓								
VMware ESX versión 4.1 actualización 1	✓								
VMware ESXi versión 4.1 actualización 1	✓								

✓: compatible



NOTA: Para obtener la información más reciente sobre los sistemas operativos compatibles para todos los sistemas PowerEdge, visite dell.com/ossupport.

Otra información útil



AVISO: Antes de realizar el procedimiento siguiente, revise las instrucciones de seguridad incluidas con el sistema.

- La *Guía de configuración* proporciona información sobre cómo configurar el alojamiento del sistema y los módulos de alta densidad.
- En las *Instrucciones de instalación del rack* incluidas con el rack, se describe cómo instalar el sistema en un rack.
- En el *Manual del propietario de hardware*, se proporciona información acerca de las funciones del sistema y se describe cómo solucionar problemas del sistema e instalar o sustituir componentes.
- En la documentación de la aplicación de administración de sistemas Dell, se proporciona información sobre cómo instalar y utilizar el software de administración de sistemas.



NOTA: Siempre compruebe si hay actualizaciones en support.dell.com/manuals y léelas primero, ya que a menudo éstas sustituyen la información contenida en otros documentos.

Obtención de asistencia técnica

Si no comprende alguno de los procedimientos que se describen en esta guía o si el sistema no funciona del modo esperado, consulte el *Manual del propietario de hardware*. Dell cuenta con una amplia oferta de formación y certificación sobre el hardware. Para obtener más información, consulte dell.com/training. Es posible que este servicio no se ofrezca en todas las regiones.

Información de la NOM (sólo para México)

La información que se proporciona a continuación aparece en el dispositivo que se describe en este documento, en cumplimiento con los requisitos de la Norma Oficial Mexicana (NOM):

Importador: Dell Inc. de México, S.A. de C.V.
Paseo de la Reforma 2620 -11º Piso
Col. Lomas Altas
11950 México, D.F.

Número de modelo: BMX01
Voltaje de alimentación: 100-240 V CA
Frecuencia: 50/60 Hz
Consumo eléctrico: 16 (x6) A

Importador: Dell Inc. de México, S.A. de C.V.
Paseo de la Reforma 2620 -11º Piso
Col. Lomas Altas
11950 México, D.F.

Número de modelo: FHB
Voltaje de alimentación: 12 V CC
Consumo eléctrico: 75 A

Importador: Dell Inc. de México, S.A. de C.V.
Paseo de la Reforma 2620 -11º Piso
Col. Lomas Altas
11950 México, D.F.

Número de modelo: HHB
Voltaje de alimentación: 12 V CC
Consumo eléctrico: 37 A

Especificaciones técnicas

Especificaciones del módulo de alta densidad

Procesador

Tipo de procesador

PowerEdge M915	Dos o cuatro procesadores AMD Opteron serie 6000 (procesadores de ocho o doce núcleos)
PowerEdge M910	Dos o cuatro procesadores Intel Xeon serie 7000 (procesadores de hasta ocho núcleos)
PowerEdge M905	Cuatro procesadores AMD Opteron serie 8000 de dos o cuatro núcleos
PowerEdge M805	Dos procesadores AMD Opteron serie 2000 de dos o cuatro núcleos
PowerEdge M710HD, M710, M610x y M610	Uno o dos procesadores Intel Xeon serie 5000 de dos, cuatro o seis núcleos
PowerEdge M605	Uno o dos procesadores AMD Opteron serie 2000 de dos o cuatro núcleos
PowerEdge M600	Uno o dos procesadores Intel Xeon de dos o cuatro núcleos

Memoria

Arquitectura

PowerEdge M915	Módulos DIMM DDR3 (RDIMM) LV simples, duales o cuádruples a 1 333 MHz
PowerEdge M910	Módulos de memoria DDR3 clasificados para funcionar a 1 066 MHz
PowerEdge M905, M805 y M605	Módulos de memoria DDR2 clasificados para funcionar a 677 MHz
PowerEdge M710HD	Módulos de memoria DDR3 y DDR3L simples, duales y cuádruples, clasificados para funcionar a 1 066 y 1 333 MHz
PowerEdge M710, M610x y M610	Módulos DIMM registrados (RDIMM) o sin búfer (UDIMM) DDR3 simples o duales a 800, 1066 o 1333 MHz o bien Módulos DIMM registrados (RDIMM) o sin búfer (UDIMM) DDR3 cuádruples a 800 o 1066 MHz

Memoria (continuación)

PowerEdge M600	Módulos de memoria FBD clasificados para funcionar a 677 MHz
----------------	--

Zócalos de módulo de memoria

PowerEdge M915 y M910	32 zócalos de 240 patas
PowerEdge M905	24 zócalos de 240 patas
PowerEdge M805	16 zócalos de 240 patas
PowerEdge M710HD y M710	18 zócalos de 240 patas
PowerEdge M610x y M610	12 zócalos de 240 patas
PowerEdge M605 y M600	8 zócalos de 240 patas

Capacidad del módulo de memoria

PowerEdge M915	Módulos DIMM LV de 1 GB, 2 GB, 4 GB, 8 GB y 16 GB
PowerEdge M910	Módulos RDIMM de 1 GB, 2 GB, 4 GB, 8 GB y 16 GB
PowerEdge M905 y M805	1 GB, 2 GB, 4 GB y 8 GB
PowerEdge M710HD	1 GB, 2 GB, 4 GB, 8 GB y 16 GB Módulos RDIMM y DIMM LV
PowerEdge M710, M610x y M610	Módulos RDIMM y DIMM LV de 2 GB, 4 GB, 8 GB y 16 GB; Módulos UDIMM de 1 y 2 GB
PowerEdge M605 y M600	512 MB, 1 GB, 2 GB, 4 GB y 8 GB

RAM mínima

PowerEdge M915	8 GB
PowerEdge M910	4 GB
PowerEdge M905	8 GB (ocho módulos de memoria de 1 GB)
PowerEdge M805	4 GB (cuatro módulos de memoria de 1 GB)
PowerEdge M710D	4 GB
PowerEdge M710, M610x y M610	Un módulo de memoria de 1 GB (sistemas de un procesador) o dos módulos de memoria de 1 GB (sistemas de dos procesadores)
PowerEdge M605 y M600	1 GB (dos módulos de memoria de 512 MB)

Memoria (continuación)

RAM máxima

PowerEdge M915	512 GB
PowerEdge M910	512 GB
PowerEdge M905	192 GB
PowerEdge M805	128 GB
PowerEdge M710HD	288 GB
PowerEdge M710	288 GB (18 módulos RDIMM de 16 GB); 36 GB (18 módulos UDIMM de 2 GB)
PowerEdge M610x y M610	192 GB (12 módulos RDIMM de 16 GB); 24 GB (12 módulos UDIMM de 2 GB)
PowerEdge M605 y M600	64 GB

Unidades

Unidades de disco duro

PowerEdge M915 y M910	Se admiten hasta dos unidades de disco duro SAS de 2,5 pulgadas mediante tarjeta de almacenamiento RAID básica o RAID de alto rendimiento. <i>O bien</i> Se admiten hasta dos unidades de disco duro SSD de 2,5 pulgadas mediante tarjeta de almacenamiento RAID básica o RAID de alto rendimiento.
PowerEdge M905 y M805	Se admiten hasta dos unidades de disco duro SAS de 2,5 pulgadas mediante tarjeta de almacenamiento RAID básica o RAID de alto rendimiento.
PowerEdge M710HD	Se admiten hasta dos unidades de disco duro SAS de 2,5 pulgadas mediante controladora de almacenamiento integrada PERC H200. <i>O bien</i> Se admiten hasta dos unidades de disco duro SSD de 2,5 pulgadas mediante controladora de almacenamiento integrada PERC H200.
PowerEdge M710	Se admiten hasta cuatro unidades de disco duro SAS de 2,5 pulgadas mediante tarjeta de almacenamiento RAID básica o RAID de alto rendimiento.

Unidades *(continuación)*

PowerEdge M600, M610x y M610	<p>Se admite una unidad de disco duro SATA de 2,5 pulgadas mediante tarjeta de almacenamiento sin RAID, RAID básica o RAID de alto rendimiento.</p> <p><i>O bien</i></p> <p>Se admiten dos unidades de disco duro SATA de 2,5 pulgadas mediante tarjeta de almacenamiento RAID básica o RAID de alto rendimiento.</p> <p><i>O bien</i></p> <p>Se admite una unidad de disco duro sólido (SSD) mediante tarjeta de almacenamiento sin RAID.</p> <p><i>O bien</i></p> <p>Se admiten hasta dos unidades de disco duro SAS mediante tarjeta de almacenamiento RAID básica o RAID de alto rendimiento.</p>
PowerEdge M605	<p>Se admiten hasta dos unidades de disco duro SATA mediante tarjeta de almacenamiento RAID básica o RAID de alto rendimiento.</p> <p><i>O bien</i></p> <p>Se admiten hasta dos unidades de disco duro sólido (SSD) mediante tarjeta de almacenamiento sin RAID.</p> <p><i>O bien</i></p> <p>Se admiten hasta dos unidades de disco duro SAS mediante tarjeta de almacenamiento RAID básica o RAID de alto rendimiento.</p> <p>NOTA: Para todos los sistemas modulares, las unidades de disco duro SAS y SATA no se pueden combinar en un mismo módulo de alta densidad.</p> <p>NOTA: Si hay instalada una tarjeta controladora RAID opcional, se admite el acoplamiento activo.</p>

Conectores

Externos

USB

PowerEdge M915, M910, M905, M805 y M710

Tres de 4 patas compatibles con USB 2.0

PowerEdge M710HD, M610x, M610, M605 y M600

Dos de 4 patas compatibles con USB 2.0

Conectores *(continuación)*

Internos

Módulo Secure Digital (SD) interno (PowerEdge M915, M910, M905, M805, M710HD, M710, M610x y M610)	Una ranura para tarjeta de memoria flash opcional con el módulo SD interno
Módulo Secure Digital (SD) vFlash interno (PowerEdge M915, M910, M710HD, M710, M610x y M610)	Una ranura para tarjeta de memoria vFlash opcional para utilizarla con el soporte de iDRAC Enterprise
Memoria USB (PowerEdge M915, M910, M710HD, M710, M610x y M610)	Un conector para memoria USB interno

Solución de expansión PCIe

PowerEdge M610x	Admite dos tarjetas PCIe estándar de un solo ancho o una de doble ancho de longitud completa.
-----------------	---

Tarjetas intermedias

PowerEdge M915 y M910	Hasta cuatro ranuras para tarjeta intermedia PCIe Gen 2 x8, que admiten tarjetas intermedias Ethernet Gb, 10 Gb Ethernet, Fibre Channel FC8 o Infiniband de dos puertos.
PowerEdge M905 y M805	Hasta cuatro ranuras para tarjeta intermedia PCIe Gen 1 x8, que admiten tarjetas intermedias Ethernet Gb, 10 Gb Ethernet, Fibre Channel FC8 o FC4, o Infiniband DDR 4x de dos puertos.
PowerEdge M710HD	Hasta dos ranuras para tarjeta intermedia PCIe Gen 2 x8, que admiten tarjetas intermedias Ethernet Gb, 10 Gb Ethernet, Fibre Channel FC8 o FC4, o Infiniband DDR 4x de dos y cuatro puertos.
PowerEdge M710	Hasta cuatro ranuras para tarjeta intermedia PCIe Gen 2 (tres x8 y una x4), que admiten tarjetas intermedias Ethernet Gb, 10 Gb Ethernet, Fibre Channel FC8 o FC4, o Infiniband DDR 4x de dos puertos.

Tarjetas intermedias (continuación)

PowerEdge M610x y M610	Hasta dos ranuras para tarjeta intermedia PCIe Gen 2 x8, que admiten tarjetas intermedias Ethernet Gb, 10 Gb Ethernet, Fibre Channel FC8 o FC4 (sólo M610), o Infiniband DDR 4x de dos puertos.
PowerEdge M605 y M600	Hasta dos ranuras para tarjeta intermedia PCIe x8, que admiten tarjetas intermedias Ethernet Gb, 10 Gb Ethernet, Fibre Channel FC8 o FC4, o Infiniband DDR 4x de dos puertos.

Controladoras Ethernet integradas

PowerEdge M915, M910, M905, M805, M710HD y M710	Cuatro puertos Ethernet compatibles con TOE e inicio iSCSI a través de dos controladoras Ethernet Broadcom 5709S integradas de dos puertos.
PowerEdge M610x y M610	Dos puertos Ethernet compatibles con TOE e inicio iSCSI a través de una controladora Ethernet Broadcom 5709S integrada de dos puertos.
PowerEdge M605 y M600	Dos puertos Ethernet compatibles con TOE e inicio iSCSI a través de dos controladoras Broadcom 5708S integradas.

Controladora de vídeo

PowerEdge M905, M805, M605 y M600	Controladora de vídeo ATI RN50. Memoria de vídeo de 32 MB
PowerEdge M915, M910, M710HD, M710, M610x y M610	Controladora de vídeo Matrox G200. Memoria de vídeo de 8 MB

Características físicas

PowerEdge M915	
Altura	38,5 cm (15,2 pulgadas)
Ancho	5 cm (2 pulgadas)
Largo	48,6 cm (19,2 pulgadas)
Peso (configuración máxima)	12,7 kg (28 libras)

Características físicas (continuación)

PowerEdge M910

Altura	38,5 cm (15,2 pulgadas)
Ancho	5 cm (2 pulgadas)
Largo	48,6 cm (19,2 pulgadas)
Peso (configuración máxima)	13,1 kg (29 libras)

PowerEdge M905, M805, M710 y M610x

Altura	38,5 cm (15,2 pulgadas)
Ancho	5 cm (2 pulgadas)
Largo	48,6 cm (19,2 pulgadas)
Peso (configuración máxima)	11,1 kg (24,5 libras)

PowerEdge M710HD

Altura	18,9 cm (7,4 pulgadas)
Ancho	5 cm (2 pulgadas)
Largo	48,6 cm (19,2 pulgadas)
Peso (configuración máxima)	7,4 kg (16,3 libras)

PowerEdge M605 y M600

Altura	18,9 cm (7,4 pulgadas)
Ancho	5 cm (2 pulgadas)
Largo	48,6 cm (19,2 pulgadas)
Peso (configuración máxima)	5,2–6,4 kg (11,5–14,0 libras)

Batería

Batería de reserva de NVRAM Batería de tipo botón de litio CR2032 de 3 V

Especificaciones del alojamiento del sistema

Características físicas

Altura	44,0 cm (17,3 pulgadas)
Ancho	44,7 cm (17,6 pulgadas)
Largo	75,5 cm (29,7 pulgadas)
Peso (configuración máxima)	178,3 kg (392,2 libras)
Peso (vacío)	44,6 kg (98,1 libras)

Módulo de fuente de alimentación

Fuente de alimentación de CA/CC (por cada fuente de alimentación)

Potencia	2 360 W y 2 700 W
Conector	IEC C20
Disipación de calor	1 205 BTU/h como máximo
Corriente de conexión máxima	En condiciones normales de línea y en todo el rango operativo del sistema, la corriente de la conexión puede alcanzar 55 A por cada fuente de alimentación durante 10 ms o menos.

Requisitos de voltaje del sistema	14,4 A, 200–240 V CA, 50/60 Hz
-----------------------------------	--------------------------------

Módulo iKVM Avocent opcional

Conectores de acceso externo

USB	Dos conectores de 4 patas compatibles con USB 2.0 para teclado y ratón
Puerto ACI	RJ-45
Vídeo	VGA de 15 patas

Módulo de controladora de administración del chasis

Conectores de acceso externo

Administración remota	Dos RJ-45 10/100/1000 Mb dedicados (para una controladora de acceso remoto Ethernet integrada). El puerto Gb se conecta a la red de administración externa. El puerto STK permite la conexión secuencial de módulos CMC de alojamientos adyacentes.
Serie	9 patas, DTE, compatible con el estándar 16550
Vídeo	VGA de 15 patas
Batería	Batería de tipo botón litio-ion CR2032 de 3 V

Panel de control del alojamiento

Conectores de acceso externo

USB	Dos conectores de 4 patas compatibles con USB 2.0 para teclado y ratón
Vídeo	VGA de 15 patas

Panel LCD

Características	Cuatro teclas de control del cursor, una tecla de selección y una pantalla LCD
-----------------	--

Especificaciones ambientales

NOTA: Para obtener información adicional sobre medidas ambientales relativas a configuraciones específicas del sistema, consulte dell.com/environmental_datasheets. Este sistema no debe utilizarse en un entorno de oficina.

Temperatura

En funcionamiento	De 10 °C a 35 °C (de 50 °F a 95 °F) NOTA: Para altitudes superiores a los 900 m (2955 pies), debe reducirse la temperatura en 1 °C (1,8 °F) cada 300 m (985 pies).
Almacenamiento	De -40 °C a 65 °C (de -40 °F a 149 °F)

Especificaciones ambientales (continuación)

Humedad relativa

En funcionamiento	De 20% a 80% (sin condensación) a una temperatura de humedad máxima de 29 °C (84,2 °F)
Almacenamiento	De 5% a 95% (sin condensación) a una temperatura de humedad máxima de 38 °C (100,4 °F)

Vibración máxima

En funcionamiento	0,26 Grms a 10–350 Hz durante 15 minutos
Almacenamiento	1,54 Grms a 10–250 Hz durante 15 minutos

Impacto máximo

En funcionamiento	Un choque en el sentido positivo del eje z (un choque en cada lado del sistema) de 41 G durante un máximo de 2 ms
Almacenamiento	Seis choques ejecutados de manera consecutiva en los ejes x, y y z positivos y negativos (un choque en cada lado del sistema) de 71 G durante un máximo de 2 ms

Altitud

En funcionamiento	De -15,2 a 3 048 metros (de -50 a 10000 pies)
Almacenamiento	De -15.2 a 10 600 metros (de -50 a 35000 pies).

Nivel de contaminación atmosférica

Clase	G1, según lo definido por ISA-S71.04-1985
-------	---

Especificaciones del módulo de E/S

Para obtener información sobre los módulos de E/S y los módulos de paso a través que se admiten en su alojamiento, consulte el documento *Sistemas Dell PowerEdge M1000e — Guía de configuración* en support.dell.com/manuals.

